

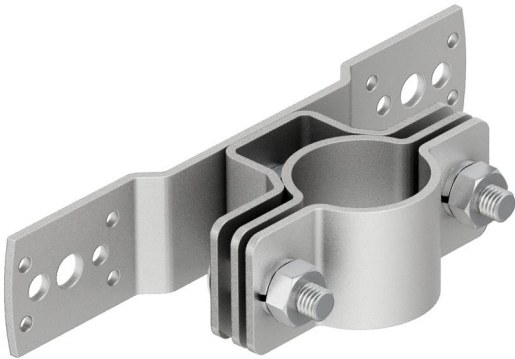
Technical data sheet

isFang support for wall mounting, 30 mm spacing

Item number: 5408952



- To fasten the insulated support pipes on the structure to be protected or on the wall



A2 Stainless steel

Master data

Item number	5408952
Type	isFang TW30
Description 1	isFang support
Description 2	for wall mounting
Manufacturer	OBO
Dimension	30mm
Material	Stainless steel
Smallest sales unit	2
Unit of quantity	Piece
Weight	62 kg
Weight unit	kg/100 pc.

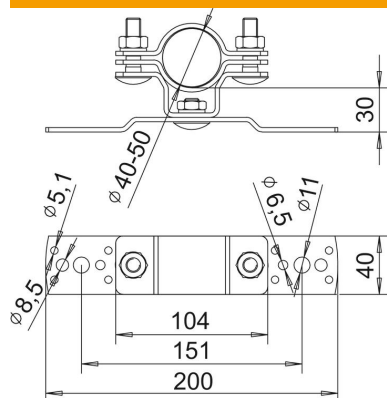
Technical data sheet

isFang support for wall mounting, 30 mm spacing

Item number: 5408952



Dimensions



Dimension L | 30 mm