

Technical data sheet

UP Plaster compensation ring 24 mm, flush-mounted device box

Item number: 2003744



Plaster compensation ring for Ø 60 mm flush-mounted box, to screw on.



PS Polystyrene

Master data

Item number	2003744
Type	ZU 24-PR
Description 1	UP Plaster compensation ring
Description 2	for flush-mounted device box
Available from	01.10.2021
Manufacturer	OBO
Dimension	Ø60mm, H24mm
Colour	Signal red
Material	Polystyrene
Smallest sales unit	25
Unit of quantity	Piece
Weight	1.02 kg
Weight unit	kg/100 pc.

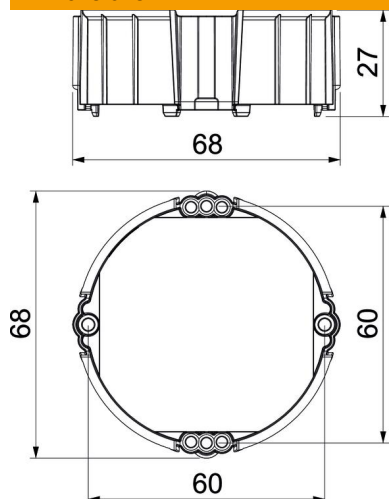
Technical data sheet

UP Plaster compensation ring 24 mm, flush-mounted device box

Item number: 2003744



Dimensions



Height	24 mm
--------	-------

Technical data

Flame-resistant	acc. to VDE 0471/IEC 60695-2-11, test temperature 650°C
Shape	Round
Halogen-free	yes
With bolts	yes
Impact-resistant	yes