

Technical data sheet

Large washer G

Item number: 3403084



Washer of particularly large outer diameter.



St Steel

G Electrogalvanized

Master data

Item number	3403084
Type	WS M6 G25 G
Description 1	Fender plate
Manufacturer	OBO
Dimension	M6,Ø25mm
Material	Steel
Surface	Electrogalvanized
Surface standard	EN ISO 19598 / EN ISO 4042
Smallest sales unit	100
Unit of quantity	Piece
Weight	0.428 kg
Weight unit	kg/100 pc.

Dimensions

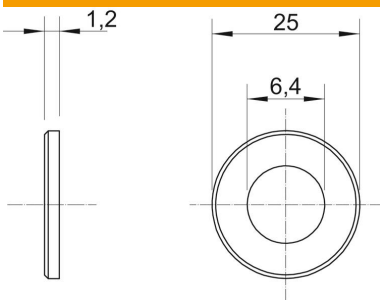


Plate thickness	0.05 in
Dimension D	0.98 in
Dimension d	0.25 in
Dimension d	6.4 mm
Dimension d max.	25 mm
Dimension d min.	25 mm
Dimension h	1.2 mm

Technical data

Faceted	no
Hardened	no
Thread	M6
Material thickness	1.2 mm