

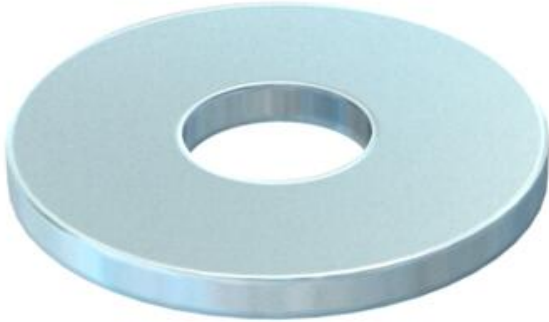
Technical data sheet

Large washer G

Item number: 3403165



Washer of particularly large outer diameter.



CE

St	Steel
G	Electrogalvanized

Master data

Item number	3403165
Type	WS M10 G30 G
Description 1	Fender plate
Manufacturer	OBO
Dimension	M10,Ø30mm
Material	Steel
Surface	Electrogalvanized
Surface standard	EN ISO 19598 / EN ISO 4042
Smallest sales unit	100
Unit of quantity	Piece
Weight	0.598 kg
Weight unit	kg/100 pc.

Dimensions

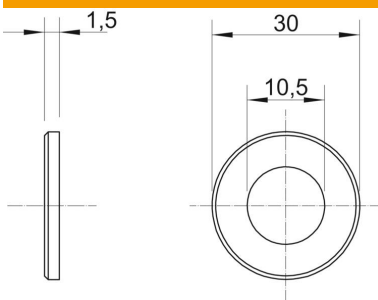


Plate thickness	0.06 in
Dimension D	1.18 in
Dimension d	0.41 in
Dimension d	10.5 mm
Dimension d max.	30 mm
Dimension d min.	30 mm
Dimension h	1.5 mm

Technical data

Thread	M10
Material thickness	1.5 mm

Technical data sheet

Large washer G

Item number: 3403165

