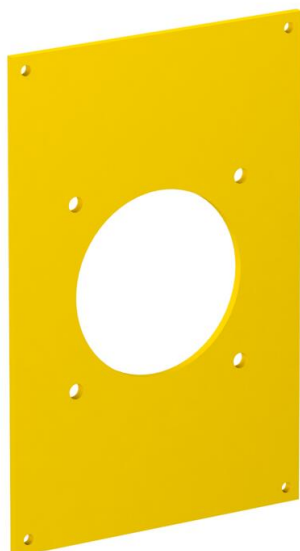


Technical data sheet

Cover plate VHF, for CEE connection unit

Item number: 6109865



Cover plate with a \varnothing 70 mm opening for the installation of 1x CEE socket 16/32 A with 60 mm fastening track, including 4 screws for fastening the device.



PVC Polyvinylchloride

Master data

Item number	6109865
Type	VHF-P3
Description 1	Cover plate
Description 2	1x CEE
Manufacturer	OBO
Dimension	160x105mm
Colour	Rape yellow; RAL 1021
Material	Polyvinylchloride
Smallest sales unit	1
Unit of quantity	Piece
Weight	7 kg
Weight unit	kg/100 pc.

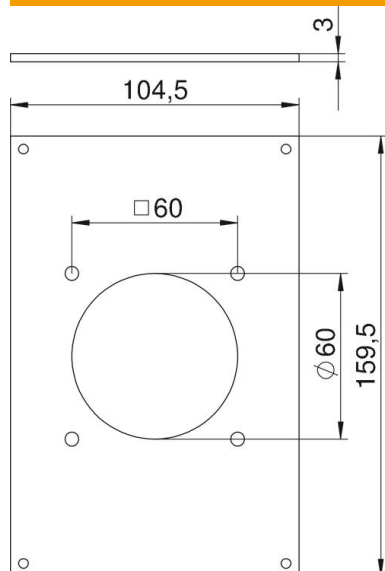
Technical data sheet

Cover plate VHF, for CEE connection unit

Item number: 6109865



Dimensions



Width	104.5 mm
Height	159.5 mm

Technical data

Number of units	1
Opening shape	Round
Fastening type	Screw-on
Blanking lid	no
Halogen-free	no
Installation technology	CEE 60x60 mm
Protection rating	IP44