

Technical data sheet

HoverCube VH-4, empty housing

Item number: 6109800



Empty housing with suspension lug and grip hook, for the installation of four electrical resources, with included partition. Without cover plates.



PA Polyamide

Master data

Item number	6109800
Type	VH-4 LG
Description 1	HoverCube
Description 2	IP20, with grip, empty
Manufacturer	OBO
Dimension	140x140x252
Colour	Graphite black; RAL 9011
Material	Polyamide
Smallest sales unit	1
Unit of quantity	Piece
Weight	62 kg
Weight unit	kg/100 pc.

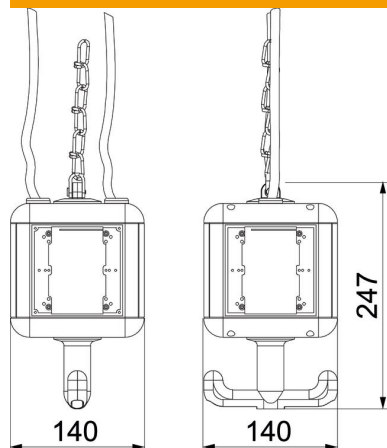
Technical data sheet

HoverCube VH-4, empty housing

Item number: 6109800



Dimensions



Width	140 mm
Height	237 mm

Technical data

Number of SCHUKO sockets	0
CEE socket, 125 A	Without
CEE socket, 16 A	Without
CEE socket, 32 A	Without
CEE socket, 63 A	Without
Supply/connection option	Miscellaneous
FI protection switch	Without
Handling	abhängbar
Military version	no
Protection rating	IP20
Other installations and/or empty slots	4
Depth	140 mm
Number of CEE sockets	0
Number of compressed air connections	0