

Technical data sheet

Surge arrester with remote signalling V20



Item number: 5096030



Surge arrester type 2, 280 V

- With remote signalling and potential-free changeover contact for function monitoring
- For surge protection equipotential bonding to VDE 0100-443 (IEC 60364-4-44)
- Arresting capacity to 40 kA (8/20) per pole
- Arrester, connectable with dynamic cut-off unit and visual function display
- High-performance varistor technology

Application: Equipotential bonding (LPZ 1 to 2) in main and sub-distributors.

* Complete = cover and base



Master data

Item number	5096030
Type	V20-C 4+FS-280A
Description 1	SurgeController V20
Description 2	with remote signalling
Manufacturer	OBO
Dimension	280V
Smallest sales unit	1
Unit of quantity	Piece
Weight	55 kg
Weight unit	kg/100 pc.

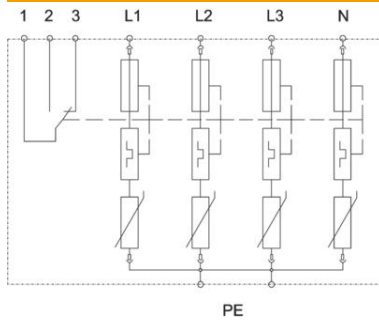
Technical data sheet

Surge arrester with remote signalling V20

Item number: 5096030



Technical data



Arrester surge current (8/20 μ s) [total]	80 kA
Response time	<25 ns
Blow-out	no
Version for	4-pole complete with RS, 280 V
Pole version	4
Structural width in division units (division unit, 17.5 mm)	5
Operating temperature, max.	80 °C
Operating temperature, min.	-40 °C
Remote signalling	yes
Maximum continuous voltage AC	280
Integrated back-up fuse	no
Conductor cross-section, flexible (fine-wire), min.	25 mm ²
Conductor cross-section, rigid (single-wire/multiwire), max.	35 mm ²
Conductor cross-section, rigid (single-wire/multiwire), min.	2.5 mm ²
Lightning protection zone LPZ	1→2
Max. mains-side overcurrent protection	125
Maximum back-up fuse	125 A
Maximum discharge current (8/20 μ s)	40 kA
Installation type	DIN rail 35 mm
Nominal discharge current (8/20 μ s)	20 kA
Nominal discharge current (8/20 μ s) [L-N]	20 kA
Nominal voltage AC (50/60 Hz)	230 V
Network form	TN
TN network form	yes
TN-C-S network form	yes
TN-S network form	yes
Test class, type 2	yes
Protection rating	IP20
Protection level	$\leq 1,3$
Signalling on device	Visual
SPD to EN 61643-11	Type 2
SPD to IEC 61643-1	Class II