

Technical data sheet

Surge arrester, 3-pole + NPE with audible signalling 280 V

Item number: 5096397



Surge arrester, type 2

- Complete unit consisting of cover and base, pre-mounted and ready for connection
- With audible signalling for function monitoring, signal tone can be turned off for 24 h
- Suitable for TN and TT network systems
- Plug-in cover; cover can be separated from base without tools
- Incl. thermal and dynamic cut-off unit
- With visual display of defects
- High current conductivity and long service life
- * Complete = cover and base



Master data

Item number	5096397
Type	V20-C 3+NPE+AS
Description 1	SurgeController V20
Description 2	with acoustic signalling
Manufacturer	OBO
Dimension	280V
Smallest sales unit	1
Unit of quantity	Piece
Weight	57 kg
Weight unit	kg/100 pc.

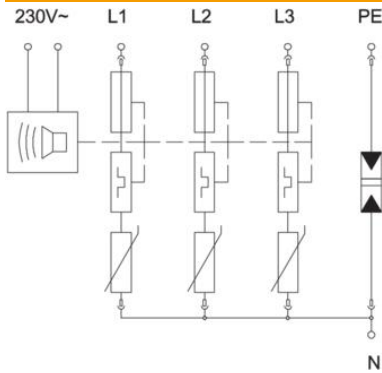
Technical data sheet

Surge arrester, 3-pole + NPE with audible signalling 280 V

Item number: 5096397



Technical data



Arrester surge current (8/20 μ s) [total]	80 kA
Response time	<25 ns
Blow-out	no
Version for	3-pole with NPE; with AS, 280 V
Pole version	3+N/PE
Structural width in division units (division unit, 17.5 mm)	5
Operating temperature, max.	80 °C
Operating temperature, min.	-40 °C
Remote signalling	yes
Maximum continuous voltage AC	280
Integrated back-up fuse	no
Conductor cross-section, flexible (fine-wire), min.	25 mm ²
Conductor cross-section, rigid (single-wire/multiwire), max.	35 mm ²
Conductor cross-section, rigid (single-wire/multiwire), min.	2.5 mm ²
Lightning protection zone LPZ	1→2
Max. mains-side overcurrent protection	125
Maximum back-up fuse	125 A
Maximum discharge current (8/20 μ s)	40 kA
Installation type	DIN rail 35 mm
Nominal discharge current (8/20 μ s)	20 kA
Nominal discharge current (8/20 μ s) [L-N]	20 kA
Nominal voltage AC (50/60 Hz)	230 V
Network form	Other
TN network form	yes
TN-C-S network form	yes
TN-S network form	yes
TT network form	yes
Test class, type 2	yes
Protection rating	IP20
Protection level	≤1,3
Signalling on device	Optical and acoustic
SPD to EN 61643-11	Type 2
SPD to IEC 61643-1	Class II