

Technical data sheet

UP Flush-mounted device connection box 66, with nail straps

Item number: 2003716



Flush-mounted device box with nail straps, for use in masonry with an installation depth of at least 66 mm.

- 4 x 3 screw domes
- Connector with bayonet lock, couplable on both sides
- 6 combination pipe entries of Ø 20 and 25 mm
- 4 entries up to Ø 20 mm
- 2 entries up to Ø 14 mm
- 1 entry up to Ø 20 mm in the base

Tested according to DIN EN 60670-1, DIN EN 60670-22 and DIN 49073-1.



PP Polypropylene

Master data

Item number	2003716
Type	UG 66-NL
Description 1	UP Flush-mounted device box
Description 2	with nail straps
Available from	01.10.2021
Manufacturer	OBO
Dimension	Ø60mm, H66mm
Colour	Jet black
Material	Polypropylene
Smallest sales unit	25
Unit of quantity	Piece
Weight	2.65 kg
Weight unit	kg/100 pc.

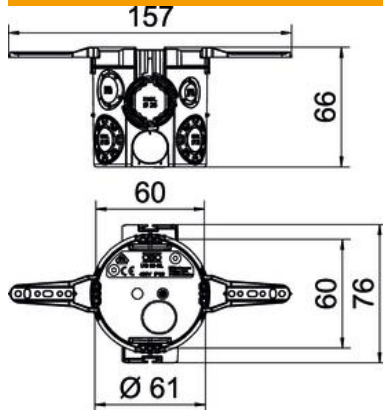
Technical data sheet

UP Flush-mounted device connection box 66, with nail straps

Item number: 2003716



Dimensions



Height	66 mm
--------	-------

Technical data

No. of entries	13
Type of insertion...	NYM cables, data cables and corrugated pipes
Type of housing penetration	Break-out opening
Version for	Single
Type	Device connection box
Device fixing	Screws or spreading claws
Cover	Without
Cover fastening	Screws ,
Entry from rear	yes
Flame-resistant	acc. to VDE 0471/IEC 60695-2-11, test temperature 650°C
Shape	Round
for pipe diameter	20/25 mm
Halogen-free	yes
Combination entries Ø 20 / 25 mm	6
With nail strap	yes
With bolts	no
Nominal cross-section, max.	2.5 mm ²
Nominal cross-section, min.	1.5 mm ²
Pipe entries Ø 20 mm	3
Impact-resistant	yes
Protection rating	IP30
Airtight	no
Rated voltage	400 V