

Technical data sheet

UP Flush-mounted device connection box 46, double version

Item number: 2003722



Double flush-mounted device box, for use in masonry with an installation depth of at least 46 mm.

- Connector with bayonet lock, couplable on both sides
 - 4 combination pipe entries of Ø 20 and 25 mm
 - 6 entries up to Ø 20 mm
 - 2 entries up to Ø 20 mm in the base
- Tested according to DIN EN 60670-1, DIN EN 60670-22 and DIN 49073-1.



PP Polypropylene

Master data

Item number	2003722
Description 1	UP Flush-mounted device box
Description 2	double combination
Available from	01.10.2021
Manufacturer	OBO
Dimension	2x Ø60xH46mm
Colour	deep black / blue grey
Material	Polypropylene
Smallest sales unit	10
Unit of quantity	Piece
Weight	3.72 kg
Weight unit	kg/100 pc.

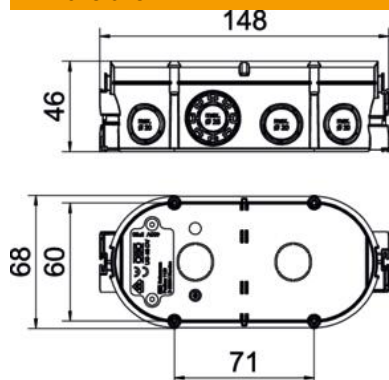
Technical data sheet

UP Flush-mounted device connection box 46, double version

Item number: 2003722



Dimensions



Length	148 mm
Width	68 mm
Height	46 mm

Technical data

No. of entries	12
Type of insertion...	NYM cables, data cables and corrugated pipes
Type of housing penetration	Break-out opening
Version for	Double
Type	Accessory socket
Device fixing	Screws or spreading claws
Cover	Without
Cover fastening	Screws ,
Entry from rear	yes
Flame-resistant	acc. to VDE 0471/IEC 60695-2-11, test temperature 650°C
Shape	Oval
for pipe diameter	20/25 mm
Halogen-free	yes
Combination entries Ø 20 / 25 mm	4
With bolts	no
Nominal cross-section, max.	2.5 mm ²
Nominal cross-section, min.	1.5 mm ²
Pipe entries Ø 20 mm	8
Impact-resistant	yes
Protection rating	IP30
Airtight	no
Rated voltage	400 V