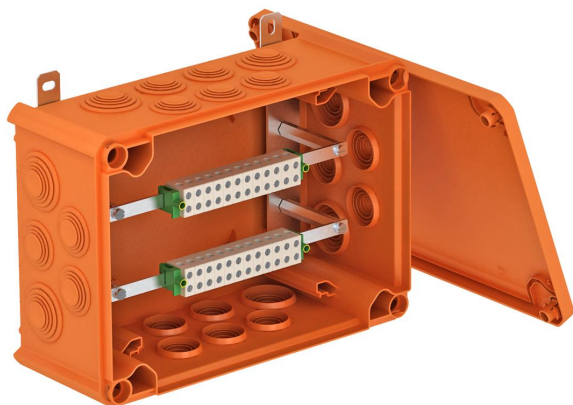


Technical data sheet

FireBox T350ED for data technology with external fastening

Item number: 7205590



Halogen-free junction box as small data distributor with pre-mounted, soft plug-in seals, approved for the maintenance of electrical functionality according to DIN 4102 Part 12. Maintenance of electrical functionality classes E30 to E90

Fully mounted connection unit made of high temperature-resistant special ceramic and labelled protective conductor terminals. Supplied with 4 fire protection screw ties MMS 6x50 for anchorless fastening on the external shackles.

The wire diameter of the data cables is \varnothing 0.8 mm. Up to 6 rigid copper wires (0.5 mm²) possible on each terminal. High protection rating IP66, impact resistance class IK06.

Details on the cable types and manufacturers can be found in the general construction test certificate of the material testing institute MPA NRW, Erwitte. Number of terminals, including 4 protective conductor terminals.

Internal clearance: 267x182x110 mm.



PP Polypropylene

Master data

Item number	7205590
Description 1	Junction box
Description 2	for function maintenance
Manufacturer	OBO
Dimension	285x201x120
Colour	Pastel orange; RAL 2003
Material	Polypropylene
Smallest sales unit	1
Unit of quantity	Piece
Weight	163 kg
Weight unit	kg/100 pc.

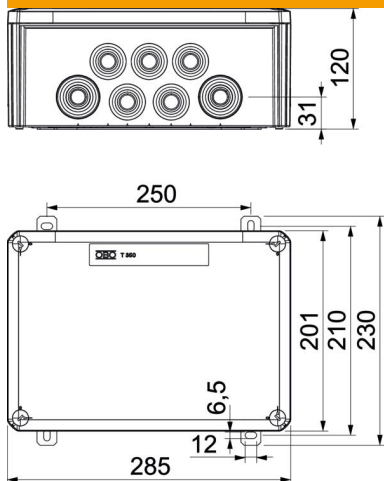
Technical data sheet

FireBox T350ED for data technology with external fastening

Item number: 7205590



Dimensions



Length	285 mm
Width	210 mm
Height	121.5 mm

Technical data

Expandable	no
No. of entries	10
Number of terminals	28
Type of housing penetration	Cuttable stepped membrane
Measured insulation voltage V_i	690 V
Equipment	Terminal
Cover	Not transparent
Cover fastening	Screwed
Entry from rear	no
Entries	16x M32 8x M40
Explosion-tested version	no
Shape	Rectangular
Maintain electrical functions	E 90
For Ex zone	Without
For Ex zone gas	Without
For Ex zone dust	Without
Halogen-free	yes
Clear internal dimensions	267x182x110 mm
With screening	no
with lid	yes
Nominal cross-section, min.	4 mm ²
Nominal voltage	660 V
Sealable	no
Impact-resistant	no
Protection rating	IP66
Weatherproof	no