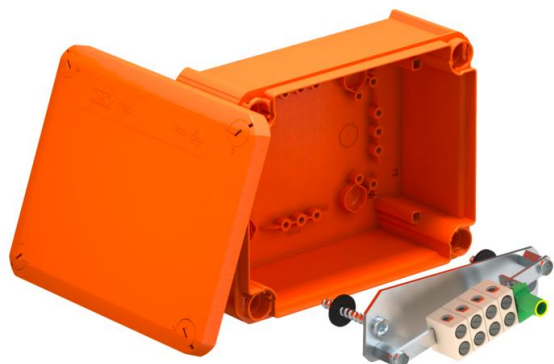


Technical data sheet

FireBox T160E with internal fastening

Item number: 7205524



Halogen-free junction box, approved for the maintenance of electrical functionality according to DIN 4102 Part 12. Maintenance of electrical functionality classes E30 to E90.

Colour: Pastel orange.

Including pre-mounted connection unit made of high temperature-resistant special ceramic and labelled protective conductor terminal. Supplied with fire protection screw ties for anchorless fastening.

Nominal cross-section of power cable: Max. 10 mm²

Maximum of two 4 mm² rigid copper cables per terminal.

High protection rating IP66, impact resistance class IK06.

Details on the cable types and manufacturers can be found in the general construction test certificate of the material testing institute NRW, Erwitte.

Number of terminals including protective conductor terminal.

Internal clearance: 176x135x67 mm.



PP Polypropylene

Master data

Item number	7205524
Type	T 160 E 10-5
Description 1	Junction box
Description 2	for function maintenance
Manufacturer	OBO
Dimension	190x150x77
Colour	Pastel orange; RAL 2003
Material	Polypropylene
Smallest sales unit	1
Unit of quantity	Piece
Weight	48.7 kg
Weight unit	kg/100 pc.

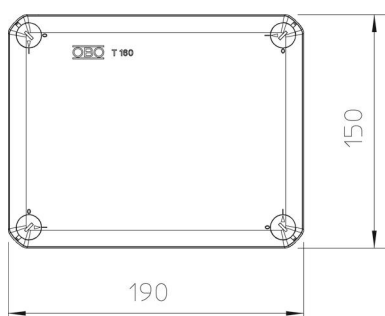
Technical data sheet

FireBox T160E with internal fastening

Item number: 7205524



Dimensions



Length	190 mm
Width	150 mm
Height	77 mm

Technical data

Expandable	no
No. of entries	0
Number of terminals	5
Type of housing penetration	Pre-marking
Measured insulation voltage V_i	690 V
Equipment	Terminal
Cover	Not transparent
Cover fastening	Screwed
Entry from rear	no
Shape	Square
Maintain electrical functions	E 90
Halogen-free	yes
Clear internal dimensions	176x135x67 mm
With screening	no
with lid	yes
Nominal cross-section, min.	10 mm ²
Nominal voltage	660 V
Sealable	no
Protection rating	IP65
Weatherproof	no