

Technical data sheet

TP support / wall and support bracket FS

Item number: 6364209



TP profile for use as lightweight support on horizontal concrete ceilings, on length 145–645 mm. Up to length 345 mm, the profile is used as a lightweight wall and support bracket.

In combination with the wall and support bracket, type TPSA/145, head reinforcement can be implemented with two fixing points. Important! If the profile is fixed directly to the ceiling or the profile is screwed together as head reinforcement, then, for reasons of stability, always use the spacer, type DS 4. For enmeshed profile mounting, use the truss-head bolt FRS 10/25 S. When mounting the profiles opposite each other (e.g. head reinforcement), use the hexagonal bolt, type SKS 10/60.



St Steel

FS Strip galvanized

Master data

| | |
|---------------------|-----------------------------|
| Item number | 6364209 |
| Type | TPSA 245 FS |
| Description 1 | TP wall and support bracket |
| Description 2 | use as support and bracket |
| Manufacturer | OBO |
| Dimension | B245mm |
| Material | Steel |
| Surface | Strip galvanized |
| Surface standard | DIN EN 10346 |
| Smallest sales unit | 1 |
| Unit of quantity | Piece |
| Weight | 46 kg |
| Weight unit | kg/100 pc. |

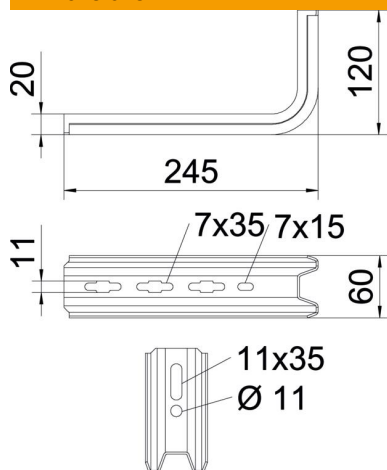
Technical data sheet

TP support / wall and support bracket FS

Item number: 6364209



Dimensions

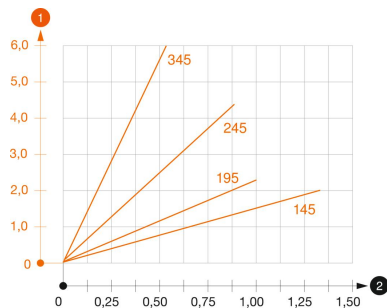


| | |
|-------------|--------|
| Length | 245 mm |
| Width | 60 mm |
| Height | 120 mm |
| Dimension B | 60 mm |
| Dimension H | 120 mm |
| Dimension L | 245 mm |

Technical data

| | |
|-------------------------------|--------------------------|
| Version for | Wall and support bracket |
| F in kN | 0.9 kN |
| Maintain electrical functions | no |
| for width max. | 200 mm |
| for width min. | 200 |
| Rustproof steel, pickled | no |

Loads



Load diagram, bracket, type TPSA

- 1 Bending of the bracket tip at permitted bracket load
- 2 Permitted bracket load in kN without man load
- Load curve with bracket lengths in mm

Characteristic anchor load values for TP bracket

| Wall fastening | Max. load [kN] | | | |
|----------------|--------------------|------|------|------|
| | Bracket width [mm] | | | |
| Anchor type | 145 | 195 | 245 | 345 |
| BZ3 10x90/0-30 | 1.3 | 0.93 | 0.60 | 0.55 |