

Technical data sheet

TP wall and ceiling bracket FS

Item number: 6363814



TP wall and ceiling bracket for universal use.
Important! If the wall and ceiling bracket is fixed directly to the wall or ceiling, then, for reasons of stability, always use the spacer, type DS 4.



St Steel

FS Strip galvanized

Master data

| | |
|---------------------|--------------------------|
| Item number | 6363814 |
| Type | TPD 245 FS |
| Description 1 | Wall and ceiling bracket |
| Description 2 | TP profile |
| Manufacturer | OBO |
| Dimension | B245mm |
| Material | Steel |
| Surface | Strip galvanized |
| Surface standard | DIN EN 10346 |
| Smallest sales unit | 1 |
| Unit of quantity | Piece |
| Weight | 66 kg |
| Weight unit | kg/100 pc. |

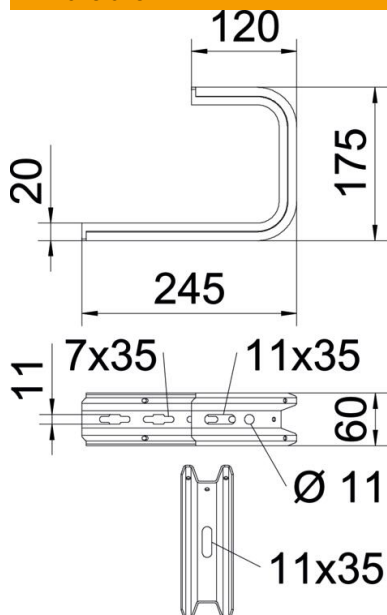
Technical data sheet

TP wall and ceiling bracket FS

Item number: 6363814



Dimensions

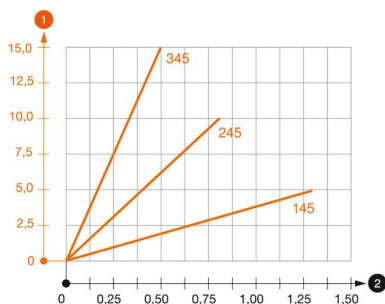


| | |
|-------------|--------|
| Length | 245 mm |
| Width | 245 mm |
| Height | 60 mm |
| Dimension B | 245 mm |
| Dimension H | 175 mm |

Technical data

| | |
|--------------------------------|------------------------------|
| Version for | Suspension bracket (C clamp) |
| F in kN ceiling | 0.8 kN |
| F in kN wall | 0.87 kN |
| Maintain electrical functions | no |
| for width max. | 200 mm |
| for width min. | 200 |
| Suitable for mesh cable tray | yes |
| Suitable for cable ladder | yes |
| Suitable for cable tray | yes |
| Suitable for tray/ladder width | 200 mm |
| Adjustable | no |

Loads



Load diagram, ceiling bracket TPD

- 1 Bending of the bracket tip at permitted bracket load
- 2 Permitted bracket load in kN without man load
- Load curve with bracket lengths in mm

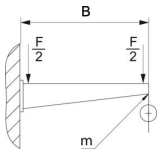
Technical data sheet

TP wall and ceiling bracket FS

Item number: 6363814



Characteristic anchor load values for TPD wall and ceiling bracket



| Wall fastening | Max. load [kN] | | | | |
|----------------|---------------------|------|------|------|------|
| | Bracket length [mm] | | | | |
| Anchor type | 145 | 245 | 345 | 445 | 545 |
| BZ3 8x95/0-40 | 0.56 | 0.53 | 0.50 | 0.47 | 0.44 |
| BZ3 10x90/0-30 | 1.03 | 0.96 | 0.68 | 0.54 | |

Max. total load F = cable weight + cable tray + ceiling bracket. The load capacity values increase considerably when used in uncracked concrete. The values given are based on concrete of strength class C20/25.