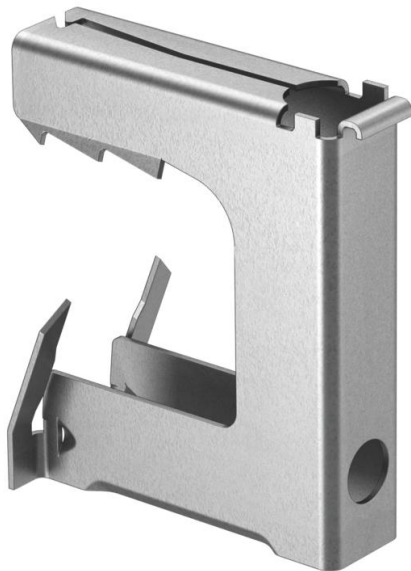


Technical data sheet

Beam clamp, multifunctional

Item number: 1485140



The multifunctional beam clamp is suitable for fastening cables, protective pipes and cable sections on steel girders of any size (one clip for every application). Here, the beam clamp is very versatile thanks to various fastening options. Mounting of the beam clamp is quick and efficient, with no need for welding or drilling. It is simply mounted by hammering or pushing into place. The beam clamp can be used in both internal and external areas.



St Steel

ZDM Galvanised, MAGNI 565

Master data

Item number	1485140
Type	TK MULTI 8
Description 1	Beam clamp
Description 2	multifunctional
Manufacturer	OBO
Dimension	2-8mm
Material	Steel
Surface	Galvanised, MAGNI 565
Surface standard	
Smallest sales unit	100
Unit of quantity	Piece
Weight	0.1 kg
Weight unit	kg/100 pc.

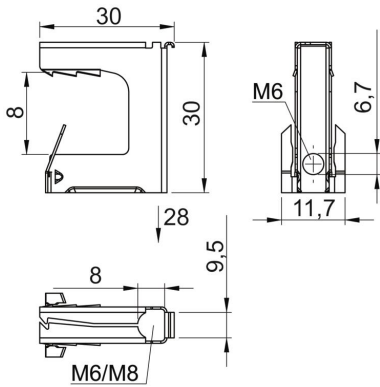
Technical data sheet

Beam clamp, multifunctional



Item number: 1485140

Dimensions



Width	30 mm
Height	30 mm
Dimension A	8 mm
Dimension B	30 mm
Dimension D	11.7 mm
Dimension E	27 mm
Dimension F	28 mm
Dimension G (mm)	20
Dimension H	30 mm

Technical data

Connection type/component	Miscellaneous
Fastening type	Clamp
Breaking load	1.2 kN
Flange thickness F max.	8 mm
Flange thickness F min.	2 mm
Hinge, adjustable	no
Hinged	no