

# Technical data sheet

## Beam clamp, multifunctional

Item number: 1485144



The multifunctional beam clamp is suitable for fastening cables, protective pipes and cable sections on steel girders of any size (one clip for every application). Here, the beam clamp is very versatile thanks to various fastening options. Mounting of the beam clamp is quick and efficient, with no need for welding or drilling. It is simply mounted by hammering or pushing into place. The beam clamp can be used in both internal and external areas.



- St** Steel
- ZDM** Galvanised, MAGNI 565

### Master data

Item number	1485144
Type	TK MULTI 16
Description 1	Beam clamp
Description 2	multifunctional
Manufacturer	OBO
Dimension	8-16mm
Material	Steel
Surface	Galvanised, MAGNI 565
Surface standard	
Smallest sales unit	100
Unit of quantity	Piece
Weight	0.12 kg
Weight unit	kg/100 pc.

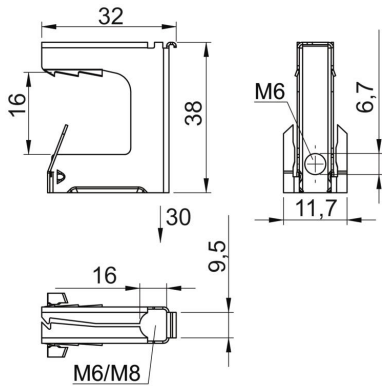
# Technical data sheet

## Beam clamp, multifunctional



Item number: 1485144

### Dimensions



Width	32 mm
Height	38 mm
Dimension A	16 mm
Dimension B	32 mm
Dimension d min.	11.7 mm
Dimension E	29 mm
Dimension F	30 mm
Dimension G (mm)	22
Dimension H	38 mm

### Technical data

Connection type/component	Miscellaneous
Fastening type	Clamp
Breaking load	1.2 kN
Flange thickness F max.	16 mm
Flange thickness F min.	8 mm
Hinge, adjustable	no
Hinged	no