

Technical data sheet

Profile ceiling suspensions

Item number: 1486861



Push-through fastening, with opening to accept S hooks or bolt and nut.



- St** Steel
- ZL** Zinc slat

Master data

Item number	1486861
Type	TKT
Description 1	Profile ceiling uncoupler
Description 2	with fastening hole 7 mm
Manufacturer	OBO
Dimension	60mm
Material	Steel
Surface	Zinc slat
Surface standard	
Smallest sales unit	100
Unit of quantity	Piece
Weight	0.9 kg
Weight unit	kg/100 pc.

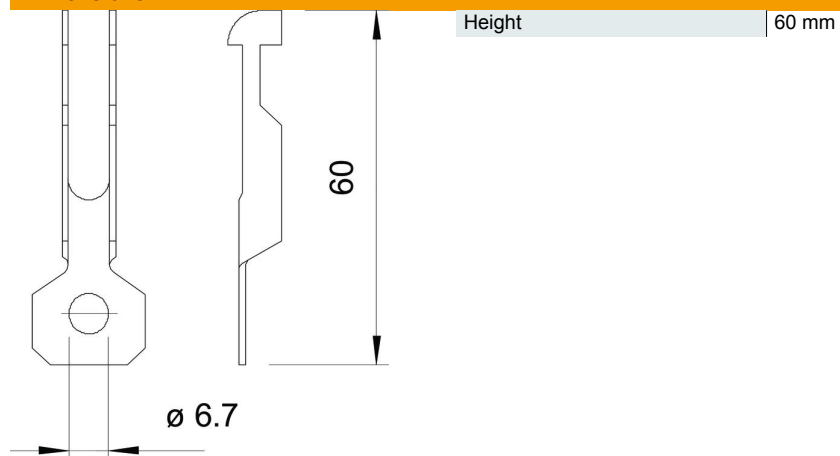
Technical data sheet

Profile ceiling suspensions

Item number: 1486861



Dimensions



Height	60 mm
--------	-------

Technical data

Connection type/component	Hole
Fastening hole	6.7 mm
Breaking load	0.45 kN