

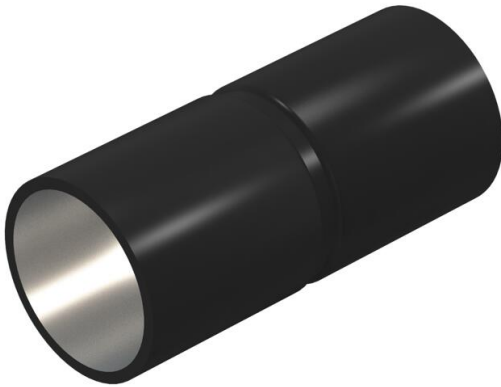
Technical data sheet

Armoured steel pipe connection sleeve without thread, black

Item number: 2046586



Accessory part: plug-in sleeve for the connections between electrical installation pipes. With burr-free inner wall.



St Steel

PE50 PES50 - Polyester/epoxy

Master data

| | |
|---------------------|-------------------------|
| Item number | 2046586 |
| Type | SV40W SW |
| Description 1 | Conduit plug-in coupler |
| Description 2 | without thread |
| Manufacturer | OBO |
| Dimension | Ø40mm |
| Colour | Jet black; RAL 9005 |
| Material | Steel |
| Surface | PES50 - Polyester/epoxy |
| Surface standard | |
| Smallest sales unit | 25 |
| Unit of quantity | Piece |
| Weight | 13.2 kg |
| Weight unit | kg/100 pc. |

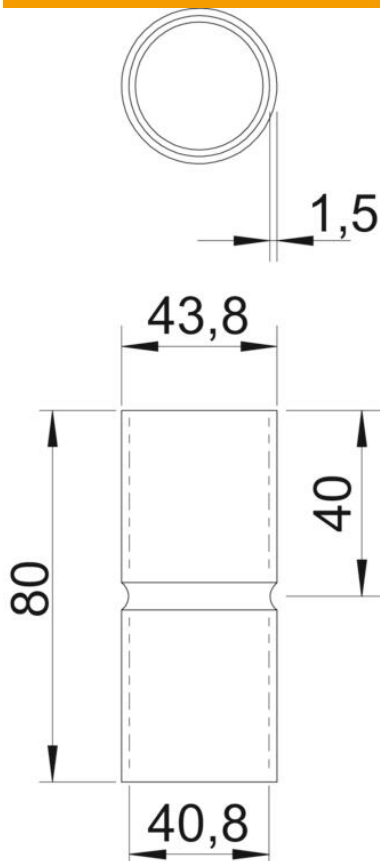
Technical data sheet

Armoured steel pipe connection sleeve without thread, black

Item number: 2046586



Dimensions



| | |
|------------------|---------|
| Length | 80 mm |
| Dimension D | 43.8 mm |
| Dimension d | 40.8 mm |
| Dimension L | 80 mm |
| Dimension I | 40 mm |
| Dimension m (mm) | M40 |
| Dimension t | 1.5 mm |

Technical data

| | |
|-----------------------------------|--------|
| Version for pipe diameter | 40 mm |
| Size | 40 |
| Halogen-free | yes |
| With inspection opening and lid | no |
| Brushed surface | no |
| Polished surface | no |
| Permitted temperature range, max. | 400 °C |
| Permitted temperature range, min. | -45 °C |
| Two-part | no |