

Technical data sheet

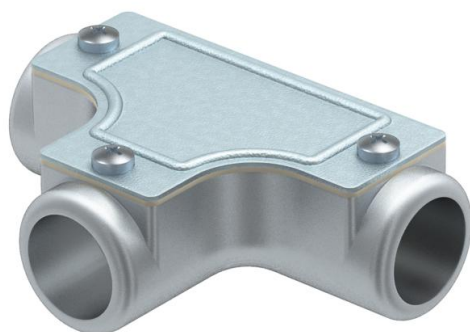
Control T piece without thread

Item number: 2047593



Die-cast aluminium T piece, for mounting in pipe sections as a junction.

Removable cover for easier cable routing and later checking.



AIG Cast aluminium

Master data

Item number	2047593
Type	SKT50W ALU
Description 1	Control T piece
Description 2	without thread
Manufacturer	OBO
Dimension	Ø50mm
Material	Cast aluminium
Smallest sales unit	2
Unit of quantity	Piece
Weight	53.1 kg
Weight unit	kg/100 pc.

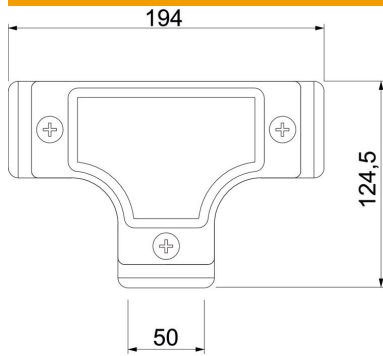
Technical data sheet

Control T piece without thread



Item number: 2047593

Dimensions



Length	194 mm
Dimension D	124.5 mm
Dimension L	194 mm
Dimension l	50 mm
Dimension m (mm)	50

Technical data

Version for	Connector
Size	50
Halogen-free	no
Brushed surface	no
Polished surface	no