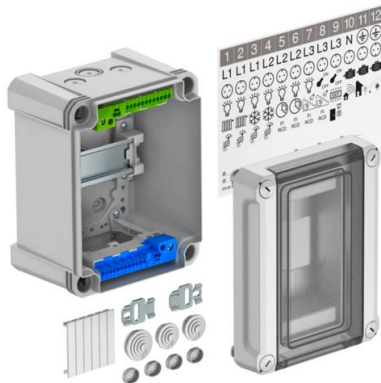


Technical data sheet

Distribution box, 3 division units, with terminal strip, polycarbonate

Item number: 2008840



Distribution box with terminal strip for surface mounting, for the current sub-distribution in interior and exterior areas, in accordance with IEC 439-3. With pre-mounted 35 mm hat profile rail. IP66 protection type and IK08 protection rating. Transparent cover to screw on, with cut-out.

- Protection-insulated for a maximum of 3 division units
 - Terminal strip set consisting of: One each of: PE/N terminal (1x25 mm² and 1x16 mm² screw terminals, 2x4 mm² and 12x2.5 mm² screwless terminals), mini hat profile rail, mounting instructions and fastening set
 - Identification plates for connected consumers
 - 2 elastic cable entries Ø20 mm for cable diameters of 0–17 mm
 - 1 elastic cable entry Ø25 mm for cable diameters of 0–22 mm
 - 2 Ø 20 mm break-out openings each at the top and bottom
 - 1 Ø 20/25 mm combination break-out opening each at the top and bottom
 - 4 screw cover caps
 - 2 stainless steel external fastenings
 - Cover strip for unused division units
- Nominal current 40 A
Power loss at 40 K 17 W
Measured voltage Un: 400 V
Operating measured voltage Ue: 400 V
Impulse current resistance Cat.III Uimp: 4 kV



PC Polycarbonate

Master data

Item number	2008840
Type	SDB 03 PC
Description 1	Small distributor
Description 2	for max. 3 distribution units
Manufacturer	OBO
Dimension	150x190x125
Colour	Light grey; RAL 7035
Material	Polycarbonate
Smallest sales unit	1
Unit of quantity	Piece
Weight	75.54 kg
Weight unit	kg/100 pc.

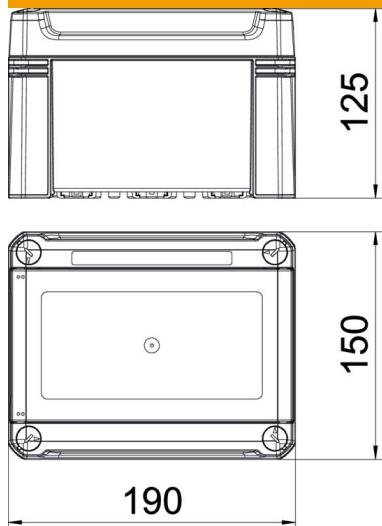
Technical data sheet

Distribution box, 3 division units, with terminal strip, polycarbonate

Item number: 2008840



Dimensions



Length	191 mm
Width	151 mm
Height	126 mm

Technical data

Extension option	yes
Number of rows	1
Cover type	Cover
Version, small distributor cover	With cut-out
DIN rail	yes
Installation location	Protected outdoor area
EMC version	no
Glow wire test	850 °C
Terminals	Connector
With mounting plate	no
With lock	no
Mounting type, consumer units	Structure
Nominal insulating voltage AC	1000 V
Nominal insulating voltage DC	1500 V
Nominal voltage	400 V
Nominal current	40 A
Protection rating	IP66
Protection rating IK code	IK08
Transparent lid	yes