

# Technical data sheet

## Aluminium pipe bend, with thread

Item number: 2046047



90° bend for electrical installation pipes according to EN 61386-1 with threaded ends to DIN EN 60423. With burr-free inner wall.  
One connection sleeve is already screwed onto each pipe bend.



**Alu** Aluminium

### Master data

Item number	2046047
Type	SBM50W ALU
Description 1	Aluminium conduit bend
Description 2	with thread
Manufacturer	OBO
Dimension	M50x1,5
Material	Aluminium
Smallest sales unit	5
Unit of quantity	Piece
Weight	49.5 kg
Weight unit	kg/100 pc.

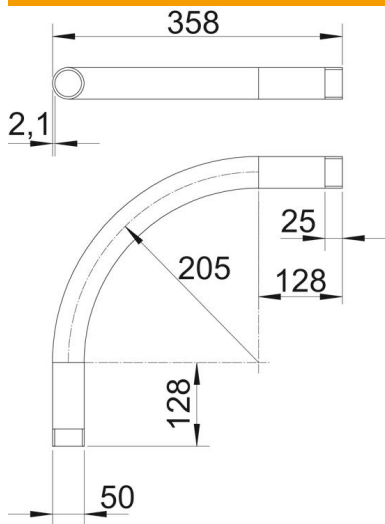
# Technical data sheet

## Aluminium pipe bend, with thread

Item number: 2046047



### Dimensions



Dimension A	128 mm
Dimension B	358 mm
Dimension D	50 mm
Dimension I	25 mm
Dimension m (mm)	M50
Dimension R	205 mm
Dimension t	2.1 mm

### Technical data

Version for	Thread
Flexible	no
For nominal pipe diameter	50 mm
Thread	M50x1,5
Halogen-free	no
With inspection opening and lid	no
With sleeve	yes
Brushed surface	no
Polished surface	no
Permitted temperature range, max.	250 °C
Permitted temperature range, min.	-45 °C
Angle of the bend	90 °
Two-part	no