

# Technical data sheet

## Aluminium pipe bend, without thread

Item number: 2046017



90° bend with moulded sleeves, for electrical installation pipes according to EN 61386-1. With burr-free inner wall.



**Alu** Aluminium

### Master data

Item number	2046017
Type	SB50W ALU
Description 1	Aluminium conduit bend
Description 2	without thread
Manufacturer	OBO
Dimension	Ø50mm
Material	Aluminium
Smallest sales unit	5
Unit of quantity	Piece
Weight	35.4 kg
Weight unit	kg/100 pc.

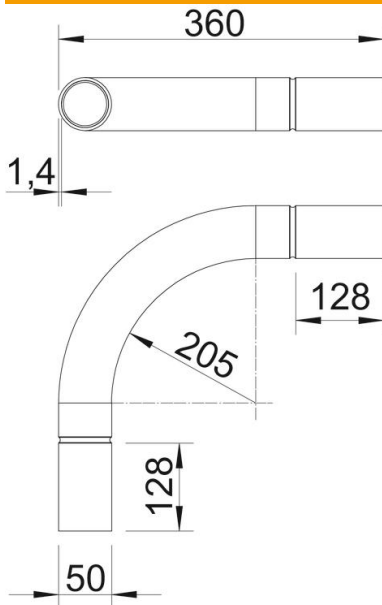
# Technical data sheet

## Aluminium pipe bend, without thread

Item number: 2046017



### Dimensions



Dimension A	128 mm
Dimension B	360 mm
Dimension D	50 mm
Dimension I	63 mm
Dimension m (mm)	M50
Dimension R	180 mm
Dimension t	1.4 mm

### Technical data

Version for	Connector
Flexible	no
For nominal pipe diameter	50 mm
Halogen-free	no
With inspection opening and lid	no
With sleeve	yes
Brushed surface	no
Polished surface	no
Permitted temperature range, max.	250 °C
Permitted temperature range, min.	-45 °C
Angle of the bend	90 °
Two-part	no