

# Technical data sheet

## Aluminium pipe bend, without thread

Item number: 2046012



90° bend with moulded sleeves, for electrical installation pipes according to EN 61386-1. With burr-free inner wall.



**Alu** Aluminium

### Master data

Item number	2046012
Type	SB16W ALU
Description 1	Aluminium conduit bend
Description 2	without thread
Manufacturer	OBO
Dimension	Ø16mm
Material	Aluminium
Smallest sales unit	15
Unit of quantity	Piece
Weight	2.35 kg
Weight unit	kg/100 pc.

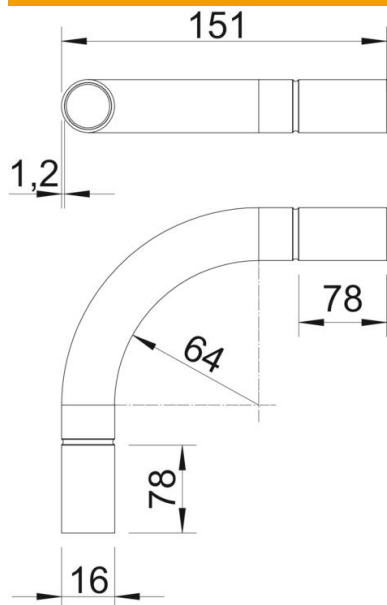
# Technical data sheet

## Aluminium pipe bend, without thread

Item number: 2046012



### Dimensions



Dimension A	78 mm
Dimension B	151 mm
Dimension D	18.6 mm
Dimension d	16.2 mm
Dimension l	28 mm
Dimension m (mm)	M16
Dimension R	56 mm
Dimension t	1.2 mm

### Technical data

Version for	Connector
Flexible	no
For nominal pipe diameter	16 mm
Halogen-free	no
With inspection opening and lid	no
With sleeve	yes
Brushed surface	no
Polished surface	no
Permitted temperature range, max.	250 °C
Permitted temperature range, min.	-45 °C
Angle of the bend	90 °
Two-part	no