

# Technical data sheet

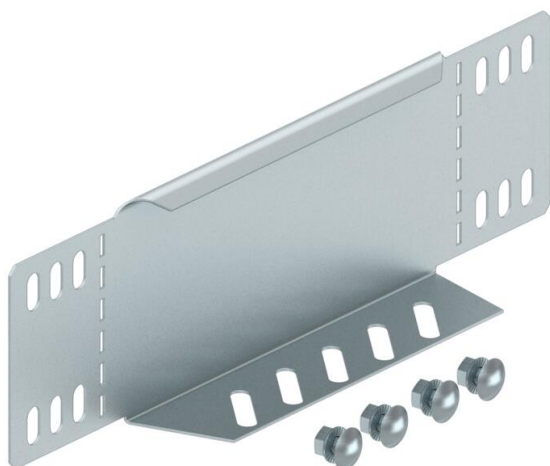
## Reducer / stop-end FS

Item number: 7110405



Reducer/stop-end for cable trays with side height 85 mm.  
From a width of 150 mm, a perforated bottom flange is available.

Including appropriate fastening material.



**St** Steel

**FS** Strip galvanized

### Master data

|                     |                             |
|---------------------|-----------------------------|
| Item number         | 7110405                     |
| Description 1       | Reducer profile/end closure |
| Description 2       | for cable tray              |
| Manufacturer        | OBO                         |
| Dimension           | 85x400                      |
| Material            | Steel                       |
| Surface             | Strip galvanized            |
| Surface standard    | DIN EN 10346                |
| Smallest sales unit | 1                           |
| Unit of quantity    | Piece                       |
| Weight              | 43 kg                       |
| Weight unit         | kg/100 pc.                  |

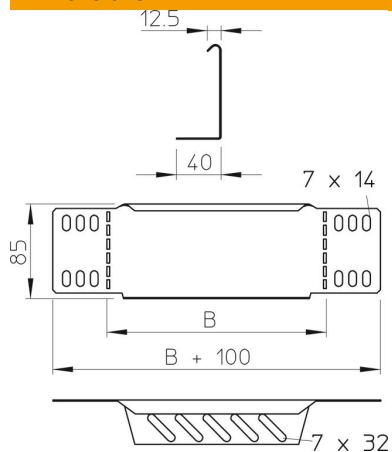
# Technical data sheet

## Reducer / stop-end FS

Item number: 7110405



### Dimensions



|                 |        |
|-----------------|--------|
| Width           | 400 mm |
| Width           | 16 in  |
| Height          | 85 mm  |
| Height          | 3 in   |
| Plate thickness | 1 mm   |
| Dimension B     | 400 mm |

### Technical data

|                               |    |
|-------------------------------|----|
| Maintain electrical functions | no |
| Rustproof steel, pickled      | no |