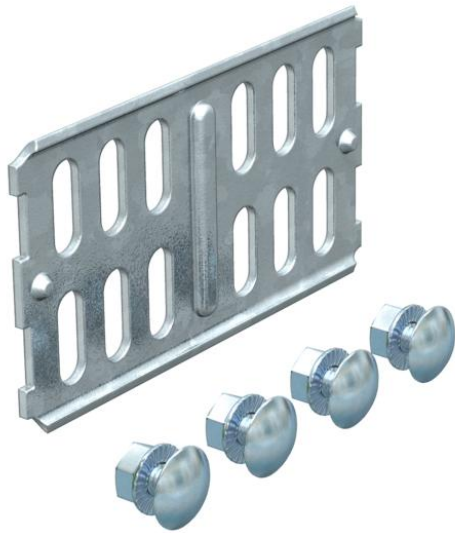


Technical data sheet

Straight connector FS

Item number: 6067093



Straight connector for straight connection of cable trays and fittings with a side height of 60 mm.
Including appropriate fastening material.



St Steel

FS Strip galvanized

Master data

Item number	6067093
Description 1	Straight connector
Description 2	for cable tray
Manufacturer	OBO
Dimension	60x100
Material	Steel
Surface	Strip galvanized
Surface standard	DIN EN 10346
Smallest sales unit	10
Unit of quantity	Piece
Weight	9.976 kg
Weight unit	kg/100 pc.

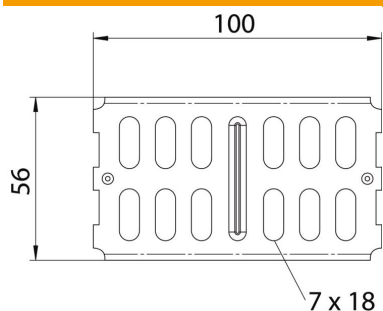
Technical data sheet

Straight connector FS

Item number: 6067093



Dimensions



Dimension	200 x 56
Length	100 mm
Width	3.5 mm
Height	56 mm
Height	2 in
Plate thickness	2 mm

Technical data

Version for	Straight connector
Maintain electrical functions	yes
Suitable for mesh cable tray	no
Suitable for cable ladder	no
Suitable for cable tray	yes
Suitable for cable tray system height	60 mm
Adjustable connector, horizontal	no
Articulated connector, vertical	no
Rustproof steel, pickled	no
Connection type	Screw connector