

Technical data sheet

Combination arrester for 4-wire information technology systems with RJ45

Item number: 5081003



Data line protection device for IT systems

- In aluminium housing
- RJ45 connector
- Incl. 150 mm connection cable with RJ45 connectors
- Simple mounting using adapter
- 2-stage protection circuit
- DIN rail mounting with DLS-BS accessories (5082 38 2)



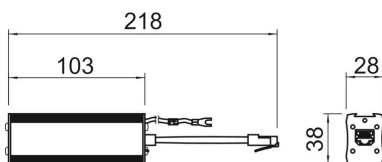
Application: Twisted Pair, control circuits, RJ45 communication cables



Master data

Item number	5081003
Description 1	Combined protective device
Description 2	for data technology
Manufacturer	OBO
Dimension	6.2V
Smallest sales unit	1
Unit of quantity	Piece
Weight	14 kg
Weight unit	kg/100 pc.

Dimensions



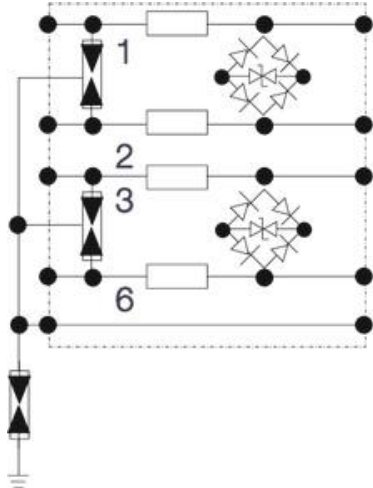
Technical data sheet

Combination arrester for 4-wire information technology systems with RJ45

Item number: 5081003



Technical data



Arrester monitoring	no
Number of poles	4
Version for	Combined protection, 4 wires + shield
Channel performance Ansi/EA	CAT 5e
Channel performance ISO/IEC	Class E
Insertion loss	≤3 dB
Earthing via:	Connection cable
Total discharge current (10/350)	2,5
Total discharge current (8/20)	7,5 kA
Cut-off frequency	109 MHz
Maximum continuous voltage AC	4,2
Maximum continuous voltage DC	6
Lightning impulse current	1,5 kA
Insulation resistance	>500 MΩ
Capacity (wire-wire)	<50 pF
Capacity (wire-earth)	<20 pF
Kategorie	Type 1+2+3 / D1+C2+C1
Lightning protection zone LPZ	0→2
Mounting type	Connector/cable adapter
Nominal load current AC	0,2
Nominal load current DC	0,3 A
Testing standard	IEC 61643-21
Shielding connection available	yes
Screening	Indirect
Protection rating	IP40
Protection level wire-wire	<70 V
Protection level wire-earth	<850 V
Series resistance per wire	4,7 Ω ± 10%
Signalling on device	Without
SPD to IEC 61643-21	Class I+II+III / D1+C2+C1
Plug-in system	RJ45
Impulse durability wire-wire	C2: 3 kV / 1,5 kA (8/20μs)
Impulse durability wire-earth	C2: 3 kV / 1,5 kA (8/20μs)
Permitted temperature range, max.	80 °C
Permitted temperature range, min.	-40 °C