

Technical data sheet

Adjustable bend element, vertical 60 FS

Item number: 7005423



Adjustable vertical bend element, for all cable tray types with a side height of 60 mm.
RGV 60 adjustable connectors should be ordered separately and in the appropriate quantity.
RGV 60 and SKS 8x16 hexagonal bolts should be ordered separately.



St Steel

FS Strip galvanized

Master data

| | |
|---------------------|-------------------------|
| Item number | 7005423 |
| Description 1 | Adjustable bend element |
| Description 2 | vertical |
| Manufacturer | OBO |
| Dimension | 60x600 |
| Material | Steel |
| Surface | Strip galvanized |
| Surface standard | DIN EN 10346 |
| Smallest sales unit | 1 |
| Unit of quantity | Piece |
| Weight | 155.9 kg |
| Weight unit | kg/100 pc. |

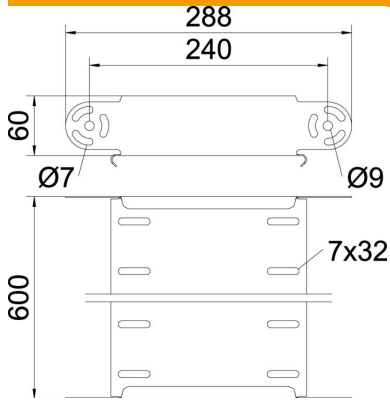
Technical data sheet

Adjustable bend element, vertical 60 FS

Item number: 7005423



Dimensions



| | |
|-----------------|--------|
| Width | 600 mm |
| Width | 24 in |
| Height | 60 mm |
| Height | 2 in |
| Plate thickness | 1 mm |
| Dimension B | 600 mm |

Technical data

| | |
|---|--------------------------|
| Bend (angle) | Adjustable |
| Connector version | Without connectors |
| Type | Adjustable bend element |
| Maintain electrical functions | no |
| Mounting perforation in base | no |
| NATO hole pattern | no |
| Change of direction | Vertical, rising/falling |
| Rustproof steel, pickled | no |
| Side perforation | no |
| Wide-span version | no |
| Type of connector, cable support system | Screwed |