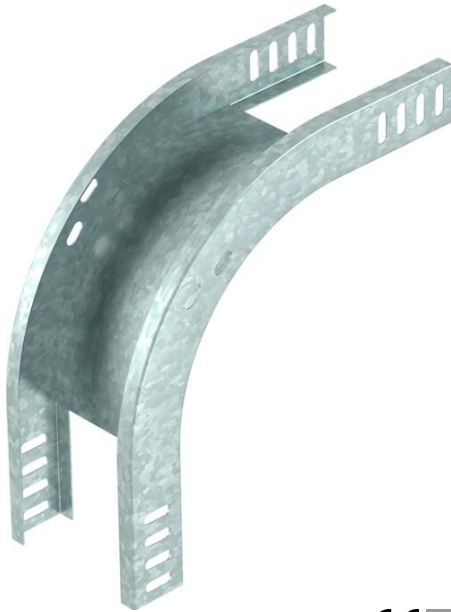


# Technical data sheet

## 90° vertical bend, falling 35 FS

Item number: 7007216



90° vertical bend, falling, for all cable tray types of 35 mm side height.  
The vertical bend is pushed over the end of the cable tray and screwed tight.  
Fastening materials should be ordered separately.



**St** Steel

**FS** Strip galvanized

### Master data

Item number	7007216
Type	RBV 330 F FS
Description 1	90° vertical bend
Description 2	falling
Manufacturer	OBO
Dimension	35x300
Material	Steel
Surface	Strip galvanized
Surface standard	DIN EN 10346
Smallest sales unit	1
Unit of quantity	Piece
Weight	86.1 kg
Weight unit	kg/100 pc.

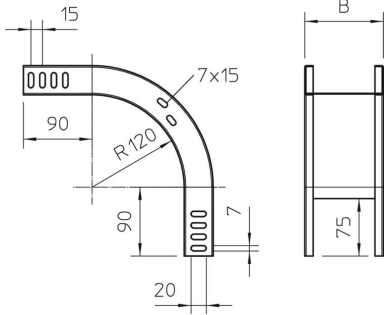
# Technical data sheet

90° vertical bend, falling 35 FS

Item number: 7007216



## Dimensions



Width	300 mm
Width	12 in
Height	35 mm
Height	1 in
Plate thickness	1 mm
Dimension B	300 mm

## Technical data

Bend (angle)	90°
Connector version	Without connectors
Maintain electrical functions	no
Mounting perforation in base	no
NATO hole pattern	no
Change of direction	Vertical, falling
Rustproof steel, pickled	no
Side perforation	no
Wide-span version	no
Type of connector, cable support system	Screwed