

Technical data sheet

Connectable data cable protection, 2-pole, indirect earthing, with visual signalling, 24 V

Item number: 5080353



Connectable data cable protection, type 1+2/D1+C2 for use in measurement, control and regulation technology

- Protection device for multiwire systems
- Indirect shield earthing
- Frequency range up to 100 MHz
- Earthing via DIN rail or connection cable
- Installation width from 17.5 mm
- High system availability – no signal interruption without protection module
- With visual signalling and option for remote signalling via the PDP-PS power supply

Application: Universal lightning and surge protection for MCR data transmission devices.



Master data

| | |
|---------------------|--------------------------------|
| Item number | 5080353 |
| Type | PDP-2-24-I-OS |
| Description 1 | Pluggable data line protection |
| Description 2 | 2 pole indirect earth |
| Manufacturer | OBO |
| Dimension | 24V |
| Smallest sales unit | 1 |
| Unit of quantity | Piece |
| Weight | 8.2 kg |
| Weight unit | kg/100 pc. |

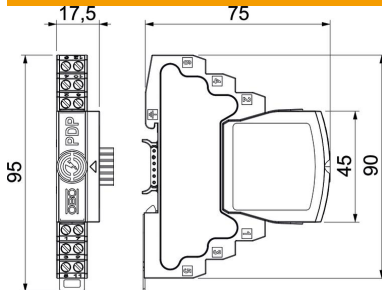
Technical data sheet

Connectable data cable protection, 2-pole, indirect earthing, with visual signalling, 24 V

Item number: 5080353

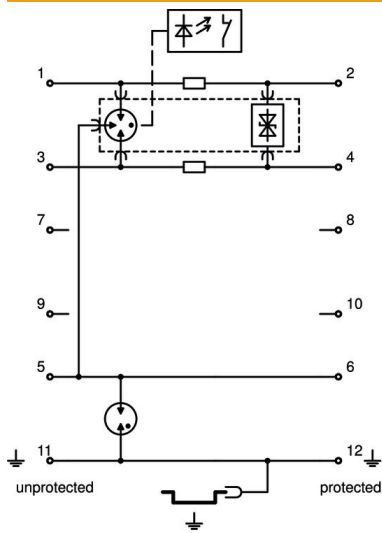


Dimensions



| | |
|--------|---------|
| Length | 75 mm |
| Width | 17.5 mm |
| Height | 95 mm |

Technical data



| | |
|--|-----------------------------|
| Connection cross-section, flexible, max. | 1.5 mm ² |
| Connection cross-section, flexible, min. | 0.14 mm ² |
| Connection cross-section, multi-wire, max. | 2.5 mm ² |
| Connection cross-section, multi-wire, min. | 0.14 mm ² |
| Connection cross-section, rigid, max. | 2.5 mm ² |
| Connection cross-section, rigid, min. | 0.14 mm ² |
| Number of poles | 4 |
| Version for | 2x2-pole |
| Insertion loss | ≤3 dB |
| Earthing via: | Connection cable / DIN rail |
| Total discharge current (10/350) | 2.5 |
| Total discharge current (8/20) | 20 kA |
| Cut-off frequency | 100 MHz |
| Maximum continuous voltage AC | 21 |
| Maximum continuous voltage DC | 30 |
| Lightning impulse current | 2.5 kA |
| Capacity (wire-wire) | ≤30 pF |
| Capacity (wire-earth) | ≤30 pF |
| Kategorie | Type 1+2 / D1+C2 |
| Lightning protection zone LPZ | 0→2 |
| Lengthwise resistance | 1.2 ± 5% |
| Mounting of input / output | Screw terminals |
| Mounting type | DIN rail 35 mm |
| Nominal discharge current (8/20 μs) | 10 kA |
| Nominal load current AC | 0.425 |
| Nominal load current DC | 0.6 A |
| Total impulse durability into C2 (8/20) | 20 kA |
| Testing standard | IEC 61643-21 |
| Shielding connection available | yes |
| Screening | Indirect |
| Protection rating | IP20 |
| Protection level wire-wire | 150 V |
| Protection level wire-earth | 1600 V |

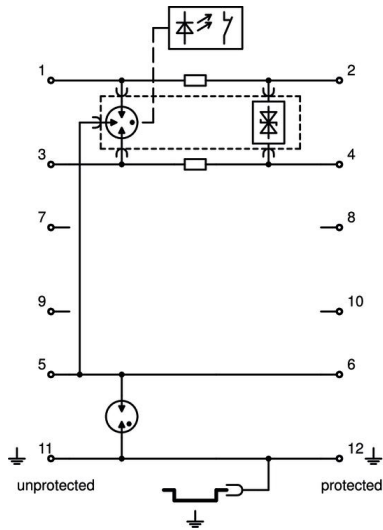
Technical data sheet

Connectable data cable protection, 2-pole, indirect earthing, with visual signalling, 24 V

Item number: 5080353



Technical data



| | |
|---------------------------------------|--------------------|
| Protection level, shield-earth (S-PE) | 1300 V |
| Series resistance per wire | 1,2 Ω ± 5% |
| Signalling on device | None |
| SPD to EN 61643-11 | Type 1+2 |
| SPD to IEC 61643-1 | Class I+II |
| SPD to IEC 61643-21 | Class I+II / D1+C2 |
| Plug-in system | Terminal |
| Impulse durability wire-wire | 10 kV / 5 kA |
| Impulse durability wire-earth | 10 kV / 5 kA |
| Permitted temperature range, max. | 80 °C |
| Permitted temperature range, min. | -40 °C |