

Technical data sheet

Equipotential bonding socket, 1 module, straight outlet,
aluminium-painted

Item number: 6120005



Equipotential bonding socket to DIN 42801, socket in black with green-yellow colour ring, cable connection to rear with M6 screw bolt, including two nuts, washers and a serrated washer.



PC Polycarbonate

Master data

Item number	6120005
Type	PAD-ID6 AL1
Description 1	Equipotential bonding socket
Manufacturer	OBO
Dimension	45x45mm
Colour	Aluminium painted
Material	Polycarbonate
Smallest sales unit	1
Unit of quantity	Piece
Weight	5 kg
Weight unit	kg/100 pc.

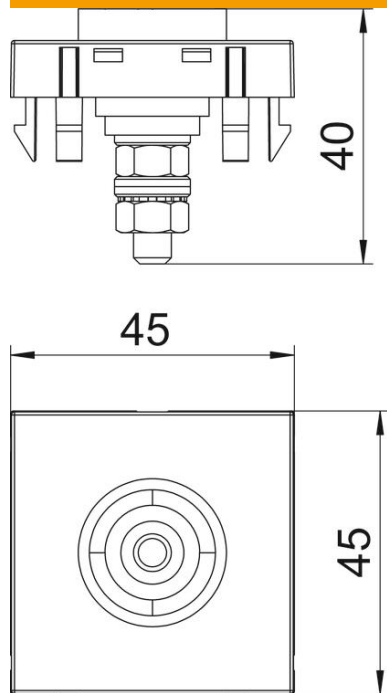
Technical data sheet

Equipotential bonding socket, 1 module, straight outlet,
aluminium-painted

Item number: 6120005



Dimensions



Dimension	45 x 45
-----------	---------

Technical data

Surface version	Matt
Version for	Socket, single
Halogen-free	yes
Mounting type	Installation
Transparent	no
Combination	Basic element with central cover plate