

# Technical data sheet

## MS4121 mounting rail, slot 22 mm, FS, perforated

Item number: 1122959



Heavy-duty C profile rail for individual installation of support constructions, e.g. for cable trays or as a panel for switchgear cabinets. Can also be used for cable routing, in conjunction with clamp clips with a U foot.



**St** Steel

**FS** Strip galvanized

### Master data

|                     |                       |
|---------------------|-----------------------|
| Item number         | 1122959               |
| Type                | MS4121P0900FS         |
| Description 1       | Profile rail          |
| Description 2       | perforated, slot 22mm |
| Manufacturer        | OBO                   |
| Dimension           | 900x41x21             |
| Material            | Steel                 |
| Surface             | Strip galvanized      |
| Surface standard    | DIN EN 10346          |
| Smallest sales unit | 1                     |
| Unit of quantity    | Piece                 |
| Weight              | 126.8 kg              |
| Weight unit         | kg/100 pc.            |

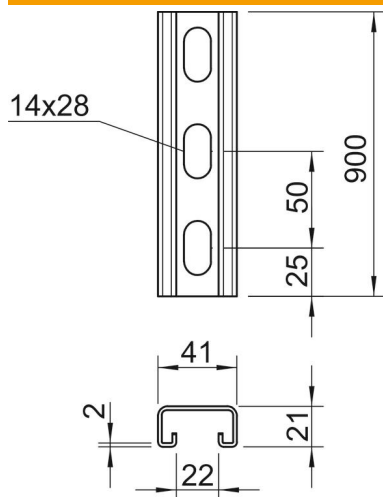
# Technical data sheet

MS4121 mounting rail, slot 22 mm, FS, perforated

Item number: 1122959



## Dimensions



|             |        |
|-------------|--------|
| Length      | 900 mm |
| Width       | 41 mm  |
| Height      | 21 mm  |
| Dimension L | 900 mm |

## Technical data

|                               |                      |
|-------------------------------|----------------------|
| Breakable                     | no                   |
| Type of perforation           | Perforated back      |
| Version for                   | Single profile       |
| Drill hole spacing, centre    | 50 mm                |
| Maintain electrical functions | no                   |
| Material thickness            | 2 mm                 |
| With perforation              | no                   |
| With tothing                  | yes                  |
| Profile shape                 | C profile            |
| Slot width                    | 22 mm                |
| Static value A                | 1.65 cm <sup>2</sup> |
| Static value Iy               | 0.95 cm              |
| Static value Iz               | 4.51 cm              |
| Static value Wy               | 0.89 cm <sup>2</sup> |
| Static value Wz               | 2.2 cm <sup>2</sup>  |