

Technical data sheet

Screw connector A2

Item number: 6066244



Straight connector for straight connection of cable trays, according to the marine standard, and fittings with a side height of 15 mm.



CE

A2 Stainless steel

2B Bright, treated

Master data

Item number	6066244
Type	MKR SV A2
Description 1	Screw connector
Description 2	for cable tray marine standard
Manufacturer	OBO
Dimension	16x29x60
Material	Stainless steel
Surface	Bright, treated
Surface standard	
Smallest sales unit	25
Unit of quantity	Piece
Weight	5.485 kg
Weight unit	kg/100 pc.

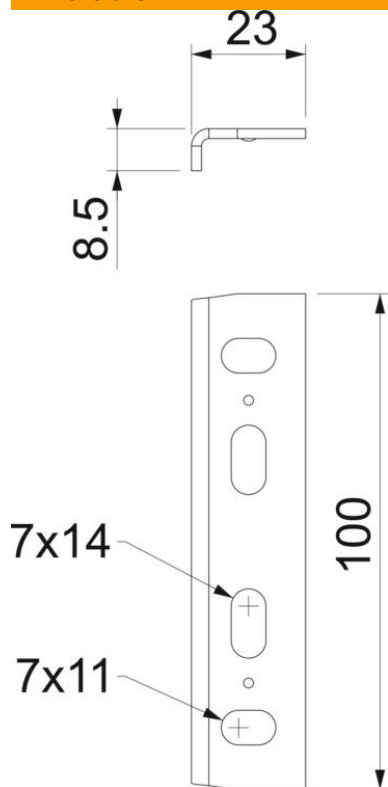
Technical data sheet

Screw connector A2

Item number: 6066244



Dimensions



Length	100 mm
Width	23 mm
Height	8.5 mm

Technical data

Version for	Straight connector
Maintain electrical functions	no
Suitable for mesh cable tray	no
Suitable for cable ladder	no
Suitable for cable tray	yes
Suitable for cable tray system height	15 mm
Adjustable connector, horizontal	no
Articulated connector, vertical	no
Rustproof steel, pickled	no
Connection type	Screw connector