

Technical data sheet

Central hanger for cable tray, side height 60 mm FS

Item number: 6358720



Centre suspension for cable trays with rolled side rail of side height 60 mm. The centre suspension possesses a rotatable M10 threaded sleeve. When filling, ensure an even distribution of the load (avoid one-sided filling).

The widths 100, 150 and 200 mm have additional base perforations, in order to screw the centre suspensions to the tray base when used for the maintenance of electrical functionality according to DIN 4102 Part 12.



St Steel

FS Strip galvanized

Master data

| | |
|---------------------|-------------------|
| Item number | 6358720 |
| Type | MAH 60 400 FS |
| Description 1 | Centre suspension |
| Description 2 | for cable tray |
| Manufacturer | OBO |
| Dimension | B400mm |
| Material | Steel |
| Surface | Strip galvanized |
| Surface standard | DIN EN 10346 |
| Smallest sales unit | 1 |
| Unit of quantity | Piece |
| Weight | 46 kg |
| Weight unit | kg/100 pc. |

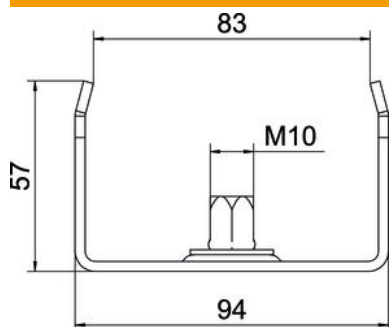
Technical data sheet

Central hanger for cable tray, side height 60 mm FS



Item number: 6358720

Dimensions



| | |
|-------------|--------|
| Length | 40 mm |
| Width | 400 mm |
| Height | 57 mm |
| Dimension B | 395 mm |
| Dimension b | 384 mm |

Technical data

| | |
|----------------------------------|-----------|
| Version for | Suspended |
| F in kN | 0.1 kN |
| Maintain electrical functions | no |
| for width max. | 400 mm |
| for width min. | 400 |
| Suitable for metric threaded rod | 10 |
| Suitable for mesh cable tray | no |
| Suitable for cable ladder | no |
| Suitable for cable tray | yes |
| Suitable for tray/ladder width | 400 mm |
| Hole diameter | 10.5 mm |
| Adjustable | no |