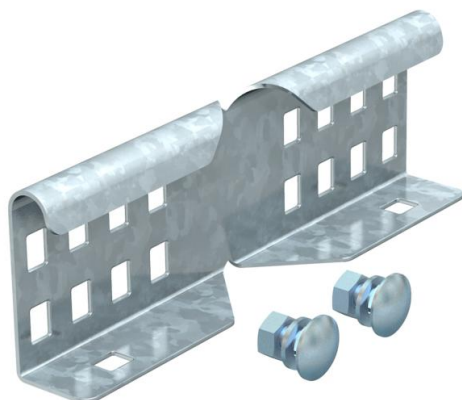


Technical data sheet

Straight and angle connector A4

Item number: 6208891



Angle connector as external connector to join cable ladders and fittings with a side height of 60 mm and continuous rail perforation. The bolt fastening ensures the continuity of the equipotential bonding.



A4 Stainless steel

2B Bright, treated

Master data

Item number	6208891
Type	LWVG 60 A4
Description 1	Angle connector
Description 2	for cable ladder
Manufacturer	OBO
Dimension	64x150
Material	Stainless steel
Surface	Bright, treated
Surface standard	
Smallest sales unit	10
Unit of quantity	Piece
Weight	24.256 kg
Weight unit	kg/100 pc.

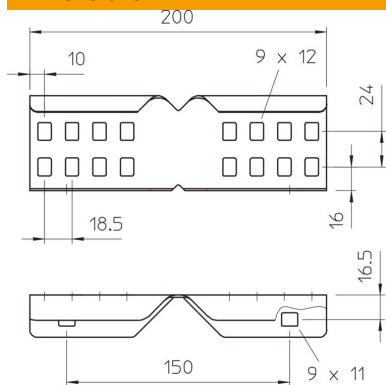
Technical data sheet

Straight and angle connector A4

Item number: 6208891



Dimensions



Dimension	64x150
Length	200 mm
Width	28 mm
Height	64 mm
Plate thickness	1.5 mm

Technical data

Version for	Angle connector
Suitable for mesh cable tray	no
Suitable for cable ladder	yes
Suitable for cable tray	no
Suitable for cable tray system height	60 mm
Adjustable connector, horizontal	no
Articulated connector, vertical	no
Rustproof steel, pickled	no
Connection type	Screw connector