

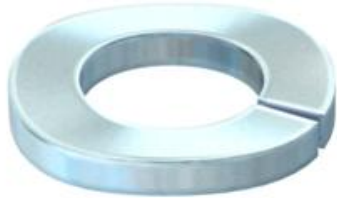
Technical data sheet

Lock washer

Item number: 3405109



Lock washer M10



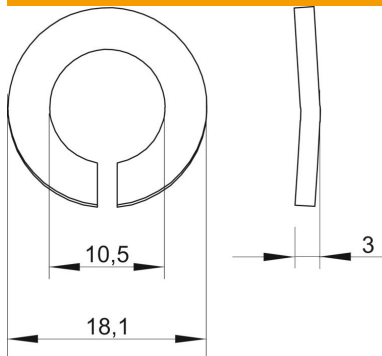
St Steel

G Electrogalvanized

Master data

Item number	3405109
Type	LWS M10 G
Description 1	Lock washer
Manufacturer	OBO
Dimension	M10
Material	Steel
Surface	Electrogalvanized
Surface standard	EN ISO 19598 / EN ISO 4042
Smallest sales unit	100
Unit of quantity	Piece
Weight	0.21 kg
Weight unit	kg/100 pc.

Dimensions



Height	3 mm
Plate thickness	0.12 in
Dimension D	0.71 in
Dimension d	0.41 in
Dimension d	10.5 mm
Dimension d max.	18.1 mm
Dimension d min.	18.1 mm
Dimension h	3 mm

Technical data

Thread	M10
Inner diameter	0.41 mm
Lock washer version	Ribbed

Technical data sheet

Lock washer

Item number: 3405109

