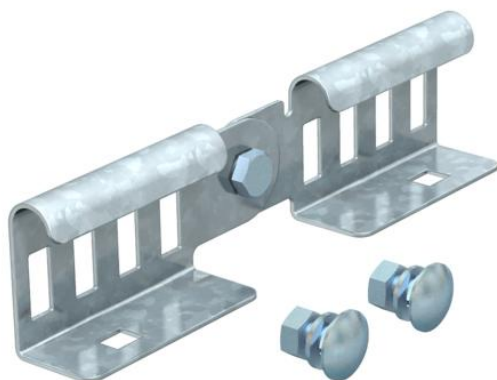


# Technical data sheet

## Adjustable connector FS

Item number: 6200926



Adjustable connector as external connector to join cable ladders and fittings with a side height of 45 mm and continuous rail perforation. Angle can be adjusted vertically.

The bolt fastening ensures the continuity of the equipotential bonding.



**St** Steel

**FS** Strip galvanized

### Master data

Item number	6200926
Description 1	Adjustable connector
Description 2	for cable ladder
Manufacturer	OBO
Dimension	49x200
Material	Steel
Surface	Strip galvanized
Surface standard	DIN EN 10346
Smallest sales unit	10
Unit of quantity	Piece
Weight	23.3 kg
Weight unit	kg/100 pc.

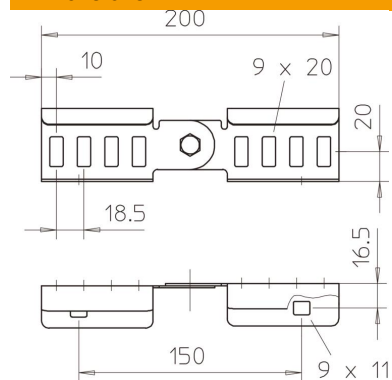
# Technical data sheet

## Adjustable connector FS

Item number: 6200926



### Dimensions



Dimension	49x200
Height	49 mm
Plate thickness	1.5 mm

### Technical data

Suitable for mesh cable tray	no
Suitable for cable ladder	yes
Suitable for cable tray	no
Suitable for cable tray system height	45 mm
Adjustable connector, horizontal	no
Articulated connector, vertical	yes
Rustproof steel, pickled	no
Connection type	Screw connector