

Technical data sheet

Support plate

Item number: 6221858



Support plate to increase the cable volume and for cable protection.

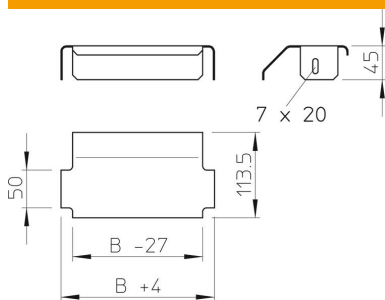


St	Steel
FT	Hot-dip galvanised

Master data

Item number	6221858
Type	LALB 20 FT
Description 1	Support plate
Description 2	for cable ladder
Manufacturer	OBO
Dimension	B200mm
Material	Steel
Surface	Hot-dip galvanised
Surface standard	DIN EN ISO 1461
Smallest sales unit	1
Unit of quantity	Piece
Weight	37.7 kg
Weight unit	kg/100 pc.

Dimensions



Width	200 mm
Height	45 mm