

Technical data sheet

Head plate, variable FT

Item number: 6349153



Variable head plate for installation on US 7 support.
Please order fastening material (two hexagonal bolts SKS 12 x 80 and spacer DSK 45) separately. The maximum angle adjustment is 30° on one side.



St Steel

FT Hot-dip galvanised

Master data

Item number	6349153
Type	KU 7 VQP FT
Description 1	Head plate
Description 2	for US 7 support, variable
Manufacturer	OBO
Dimension	200x100
Material	Steel
Surface	Hot-dip galvanised
Surface standard	DIN EN ISO 1461
Smallest sales unit	1
Unit of quantity	Piece
Weight	181.6 kg
Weight unit	kg/100 pc.

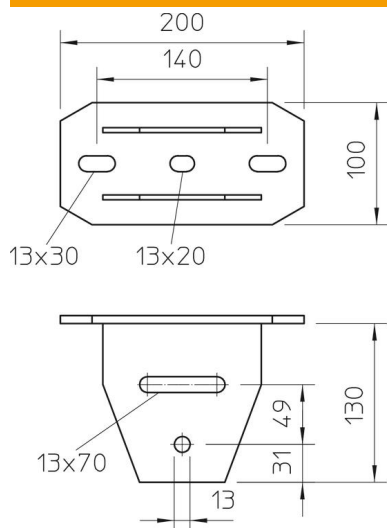
Technical data sheet

Head plate, variable FT

Item number: 6349153



Dimensions



Length	200 mm
Width	100 mm
Height	130 mm

Technical data

Version for	Screw head plate
Suitable for ceiling fastening	yes
Suitable for panel fastening	no
Suitable for profile shapes	U profile
Rustproof steel, pickled	no
Angle range, max.	30 mm
Angle range, min.	0 mm