

Technical data sheet

Head plate A2

Item number: 6348876



Head plate for mounting on US 3 supports.
The head plate can be mounted to fixed lengths of the U support, type US 3.
Including appropriate fastening material.
Including appropriate fastening material.



A2 Stainless steel

2B Bright, treated

Master data

Item number	6348876
Type	KU 3 A2
Description 1	Head plate
Description 2	for US 3 support
Manufacturer	OBO
Dimension	130x40x100
Material	Stainless steel
Surface	Bright, treated
Surface standard	
Smallest sales unit	1
Unit of quantity	Piece
Weight	41 kg
Weight unit	kg/100 pc.

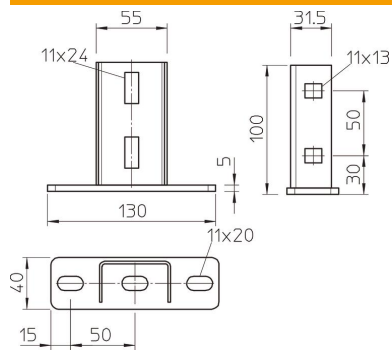
Technical data sheet

Head plate A2

Item number: 6348876



Dimensions



Length	130 mm
Width	40 mm
Height	100 mm

Technical data

Version for	Screw head plate
Maintain electrical functions	no
Suitable for ceiling fastening	yes
Suitable for panel fastening	no
Suitable for profile shapes	U profile
Rustproof steel, pickled	no
Angle range, max.	90 mm
Angle range, min.	90 mm