

Technical data sheet

Combination nut DIN 6923 V2A

Item number: 3156120



Combination nut with pressed washer in accordance with EN 1661.



CE

A2 Stainless steel

2B Bright, treated

Master data

Item number	3156120
Type	KM M8 A2
Description 1	Hexagonal nut with flange
Description 2	with underhead tothing
Manufacturer	OBO
Dimension	M8
Material	Stainless steel
Surface	Bright, treated
Surface standard	
Smallest sales unit	100
Unit of quantity	Piece
Weight	0.8 kg
Weight unit	kg/100 pc.

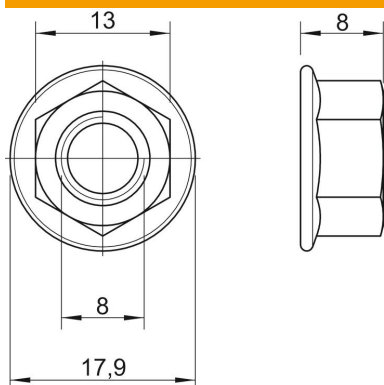
Technical data sheet

Combination nut DIN 6923 V2A

Item number: 3156120



Dimensions



Dimension d	17.9 mm
Dimension h	8 mm

Technical data

Thread	M8
Thread metric	8
Thread type	Metric
Halogen-free	yes
With flange	yes
WAF	13
Self-locking	no
Left thread	no
Thread, imperial	3/8"
Nut version	Nut
Screw system nut	Hexagon head