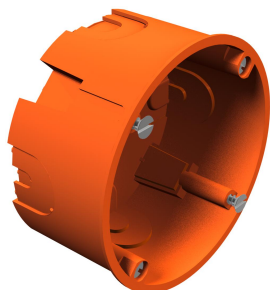


Technical data sheet

Cavity wall accessory socket

Item number: 2003426



Cavity wall device socket. Dimensions to DIN 49073-1, for plate thickness 7–35 mm. Standard combination spacing 71 mm, option for continuous wiring using connection support for combinations between device sockets and device connection sockets, 8 break-out openings for NYM cables, data cables and pipes Ø 20 mm, device sockets can also be used as connection sockets to VDE 0606-1 with double screw fastening and screw-on cover, protection rating IP20. According to IEC 60670-1, IEC 60670-22 and DIN 49073-1.



PP Polypropylene

Master data

Item number	2003426
Type	HG 60-35
Description 1	Box, empty
Description 2	cavity wall
Manufacturer	OBO
Dimension	Ø68mm, H35mm
Colour	Orange
Material	Polypropylene
Smallest sales unit	25
Unit of quantity	Piece
Weight	1.811 kg
Weight unit	kg/100 pc.

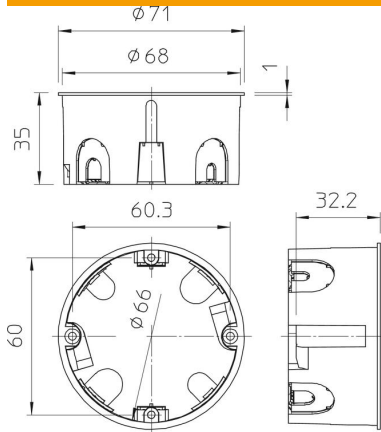
Technical data sheet

Cavity wall accessory socket



Item number: 2003426

Dimensions



Height	35 mm
--------	-------

Technical data

No. of entries	8
Number of switch boxes	1
Type of insertion...	break-out openings for NYM cables, data cables and pipes \varnothing 20 mm
Type of housing penetration	Pre-marking
Version for	Single
Type	Accessory socket
Device fixing	Screws ,
Equipment	Without
Cover	Without
Cover fastening	Not applicable
Entry from rear	yes
Entries	8
Flame-resistant	Acc. to VDE 0471/DIN 695 Part 2-1, test temperature 850°C
Shape	Round
Milling hole diameter	68 mm
Maintain electrical functions	Without
Floor height, min.	35 mm
for pipe diameter	20 mm
Suitable for plate thickness, max.	25 mm
Suitable for plate thickness, min.	7 mm
Accessory screw clearance	60 mm
Halogen-free	yes
Max. Conductor cross-section	2.5 mm ²
With screening	no
With nail strap	no
With bolts	yes
Mounting type	Cavity wall
Nominal cross-section, max.	2.5 mm ²
Nominal cross-section, min.	1.5 mm ²
Sealable	no
Impact-resistant	yes
Protection rating	IP20
Support	Without

Technical data sheet

Cavity wall accessory socket

Item number: 2003426



Technical data

Airtight	no
Rated voltage	400 V