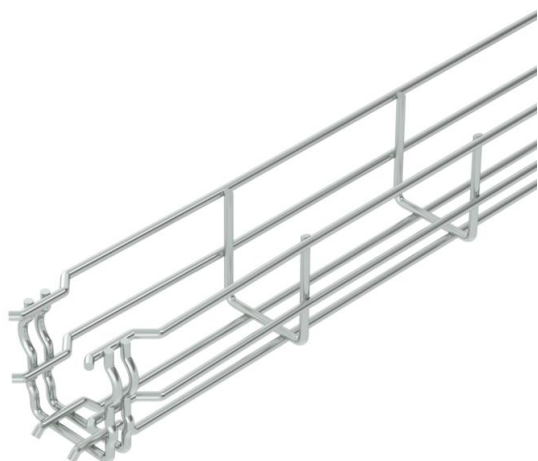


Technical data sheet

Mesh cable tray GR-Magic® 55 G

Item number: 6001441



Mesh cable tray with shaped connector of side height 55 mm. No additional connection components are required for the mesh cable tray, it is simply interlocked. The grid width is 50 x 100 mm (exception: GRM 55/50 = 20 x 100 mm). Tested for the maintenance of electrical function according to DIN 4102 Part 12 (type: GRM 55 200 4.8 G, GRM 55 300 G, GRM 55 400 G, mounting work and parameters according to valid test certificate).

Tested for installation above suspended fire protection ceilings (type: GRM 55 100 G, GRM 55 200 G, GRM 55 300 G, GRM 55 400 G, fire load 30 minutes, mounting work and parameters according to fire protection reports). Magnetic shield insulation without cover 15 dB, with cover 25 dB.

You can find detailed information regarding the UL classification in the respective certification.



- St** Steel
- G** Electrogalvanized

Master data

| | |
|-----------------------------------|----------------------------|
| Item number | 6001441 |
| Description 1 | Mesh cable tray GRM |
| Manufacturer | OBO |
| Dimension | 55x50x3000 |
| Colour | zinc |
| Material | Steel |
| Surface | Electrogalvanized |
| Surface standard | EN ISO 19598 / EN ISO 4042 |
| Smallest sales unit | 3 |
| Unit of quantity | Metre |
| Weight | 67 kg |
| Weight unit | kg/100 m |
| CO Footprint (GWP) Cradle-to-Gate | 1,275 kg COe / 1 Meter |

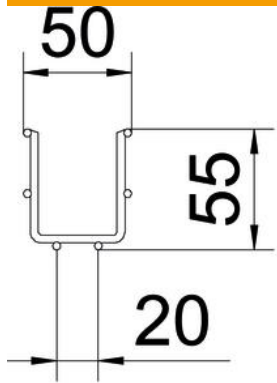
Technical data sheet

Mesh cable tray GR-Magic® 55 G

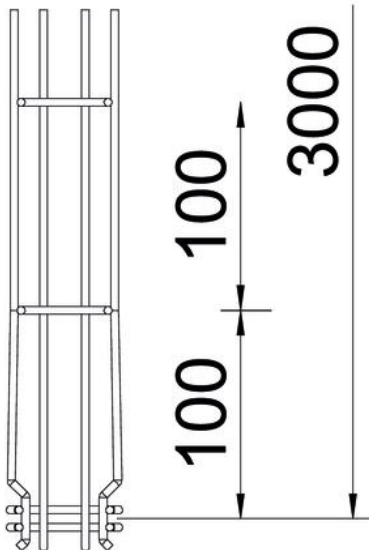
Item number: 6001441



Dimensions



| | |
|-------------|----------|
| Length | 3,000 mm |
| Width | 50 mm |
| Width | 1.97 in |
| Height | 55 mm |
| Height | 2.17 in |
| Dimension B | 52 mm |
| Dimension H | 58 mm |



Technical data sheet

Mesh cable tray GR-Magic® 55 G

Item number: 6001441

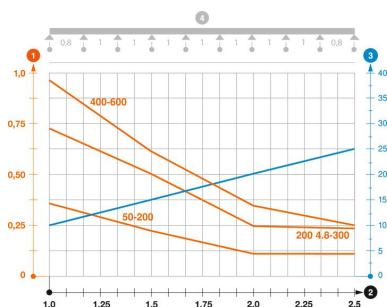


Technical data

| | |
|---|----------------------|
| Connector version | Integrated connector |
| Mounting system fastening type | Floor Ceiling Wall |
| Maintain electrical functions | yes |
| Integrated partition | Without |
| Usable cross-section | 16 cm ² |
| Usable cross-section | 1600 mm ² |
| Profile shape | U-shaped |
| Rustproof steel, pickled | no |
| Screwless connector | yes |
| Wide-span version | no |
| Load test type according to IEC 61537 | Type II |
| Type of connector, cable support system | Click fastening |

Loads

| | |
|-----------------------------------|-----------|
| Insertable support spacings, min. | 1 m |
| Insertable support spacings, max. | 2.5 m |
| Support spacing 1.0 m | 0.35 kN/m |
| Support spacing 1.5 m | 0.2 kN/m |
| Support spacing 2.0 m | 0.1 kN/m |
| Support spacing 2.5 m | 0.1 kN/m |



Load diagram, GR-Magic mesh cable tray, type GRM 55

- 1 Permitted cable tray/ladder load in kN/m without man load
- 2 Support width in m
- 3 Rail bend in mm at permitted kN/m
- 4 Load scheme during testing
- Load curve with cable tray/ladder width in mm
- Strut bend curve according to support width