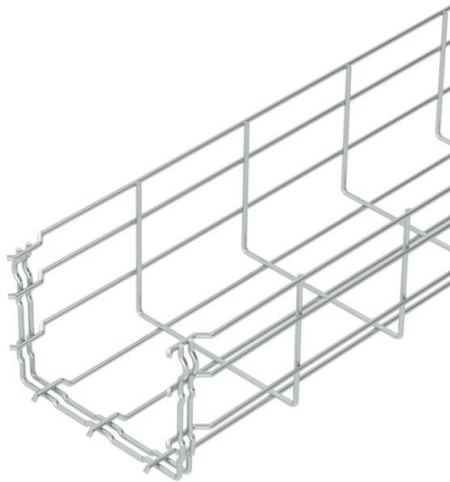


# Technical data sheet

## Mesh cable tray GR-Magic® 105 G

Item number: 6002404



Mesh cable tray with shaped connector of side height 105 mm.  
No additional connection components are required for the mesh cable tray, it is simply interlocked. The grid width is 50 x 100 mm.  
Magnetic shield insulation without cover 15 dB, with cover 25 dB.



- St** Steel
- G** Electrogalvanized

### Master data

Item number	6002404
Description 1	Mesh cable tray GRM
Manufacturer	OBO
Dimension	105x150x3000
Colour	zinc
Material	Steel
Surface	Electrogalvanized
Surface standard	EN ISO 19598 / EN ISO 4042
Smallest sales unit	3
Unit of quantity	Metre
Weight	111.667 kg
Weight unit	kg/100 m
CO Footprint (GWP) Cradle-to-Gate	2,087 kg COe / 1 Meter

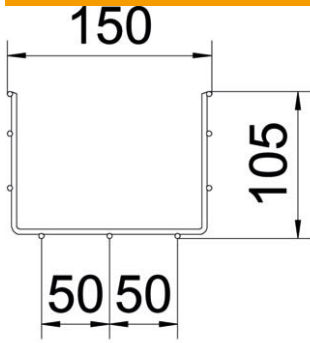
# Technical data sheet

## Mesh cable tray GR-Magic® 105 G

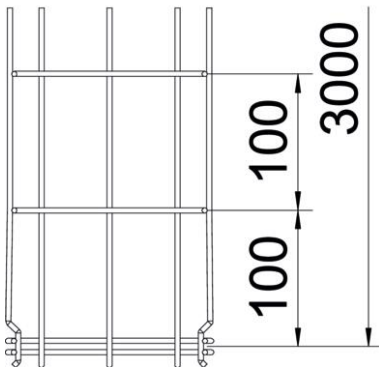
Item number: 6002404



### Dimensions



Length	3,000 mm
Width	150 mm
Width	5.91 in
Height	105 mm
Height	4.13 in
Dimension B	150 mm
Dimension H	108 mm



### Technical data

Connector version	Integrated connector
Mounting system fastening type	Floor Ceiling Wall
Maintain electrical functions	no
Integrated partition	Without
Usable cross-section	130 cm <sup>2</sup>
Usable cross-section	13000 mm <sup>2</sup>
Profile shape	U-shaped
Rustproof steel, pickled	no
Screwless connector	yes
Wide-span version	no
Load test type according to IEC 61537	Type II
Type of connector, cable support system	Click fastening

# Technical data sheet

## Mesh cable tray GR-Magic® 105 G

Item number: 6002404



### Loads

Insertable support spacings, min.	1 m
Insertable support spacings, max.	3 m
Support spacing 1.0 m	0.8 kN/m
Support spacing 1.5 m	0.55 kN/m
Support spacing 2.0 m	0.37 kN/m
Support spacing 2.5 m	0.27 kN/m
Support spacing 3.0 m	0.25 kN/m