

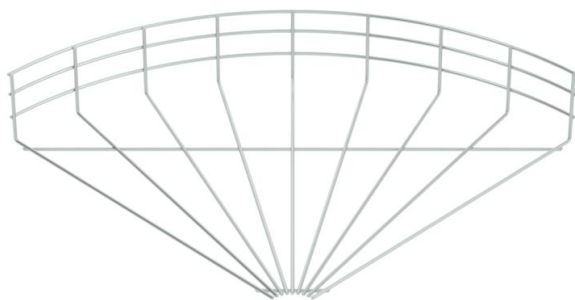
Technical data sheet

90° mesh cable tray bend G

Item number: 6002382



90° bend, horizontal, for all mesh cable trays of 105 mm side height.



St Steel

G Electrogalvanized

Master data

| | |
|---------------------|----------------------------|
| Item number | 6002382 |
| Type | GRB 90 150 G |
| Description 1 | 90° mesh cable tray bend |
| Manufacturer | OBO |
| Dimension | 105x500 |
| Material | Steel |
| Surface | Electrogalvanized |
| Surface standard | EN ISO 19598 / EN ISO 4042 |
| Smallest sales unit | 1 |
| Unit of quantity | Piece |
| Weight | 112 kg |
| Weight unit | kg/100 pc. |

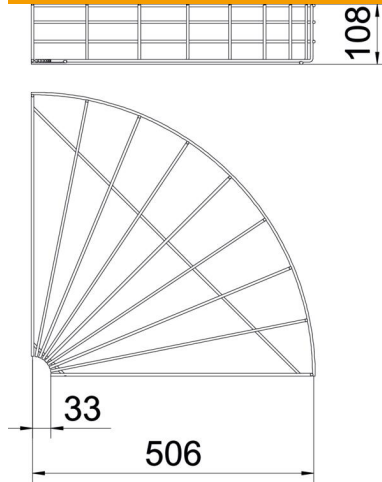
Technical data sheet

90° mesh cable tray bend G

Item number: 6002382



Dimensions



| | |
|-------------|---------|
| Width | 500 mm |
| Width | 19.6 in |
| Height | 105 mm |
| Dimension A | 33 mm |
| Dimension B | 506 mm |
| Dimension H | 108 mm |

Technical data

| | |
|-------------------------------|--------------------|
| Bend (angle) | 90° |
| Connector version | Without connectors |
| Type | Horizontal bend |
| Maintain electrical functions | no |
| Rustproof steel, pickled | no |