

# Technical data sheet

## Clamping piece FT

Item number: 6015271



Hold-down clamp for fastening mesh cable trays on the ground or on stand-off brackets of type DBL.  
Use on mesh cable trays with 50 x 100 mm grid only.



**St** Steel

**FT** Hot-dip galvanised

### Master data

Item number	6015271
Description 1	Hold-down clamp
Description 2	for screw M6
Manufacturer	OBO
Dimension	60x40
Colour	zinc
Material	Steel
Surface	Hot-dip galvanised
Surface standard	DIN EN ISO 1461
Smallest sales unit	50
Unit of quantity	Piece
Weight	3.59 kg
Weight unit	kg/100 pc.
CO Footprint (GWP) Cradle-to-Gate	0,097 kg COe / 1 Piece

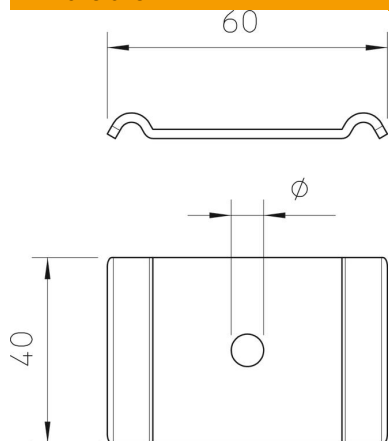
# Technical data sheet

## Clamping piece FT

Item number: 6015271



### Dimensions



Dimension	60 x 40
-----------	---------

### Technical data

Suitable for mesh cable tray	yes
Suitable for cable ladder	no
Suitable for cable tray	no
Hole diameter	7 mm
Rustproof steel, pickled	no
Connection type	Miscellaneous