

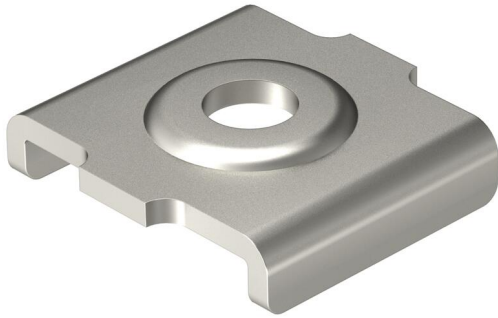
Technical data sheet

Clamping piece G

Item number: 6016674



Clamp for fastening mesh cable trays of width 50 mm to the floor.



St Steel

G Electrogalvanized

Master data

Item number	6016674
Description 1	Hold-down clamp
Description 2	for mesh cable tray
Manufacturer	OBO
Colour	zinc
Material	Steel
Surface	Electrogalvanized
Surface standard	EN ISO 19598 / EN ISO 4042
Smallest sales unit	20
Unit of quantity	Piece
Weight	1.105 kg
Weight unit	kg/100 pc.
CO Footprint (GWP) Cradle-to-Gate	0,035 kg COe / 1 Piece

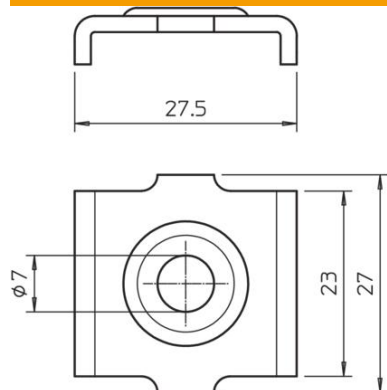
Technical data sheet

Clamping piece G

Item number: 6016674



Dimensions



Technical data

Suitable for mesh cable tray	yes
Suitable for cable ladder	no
Suitable for cable tray	no
Rustproof steel, pickled	no
Connection type	Miscellaneous