

# Technical data sheet

## Truss-head bolt with combination nut, V2A

Item number: 3175608



Truss-head bolt with square neck and combination nut.



**A2** Stainless steel

**2B** Bright, treated

### Master data

Item number	3175608
Type	FRSB M8x35 A2
Description 1	Truss-head bolt
Description 2	with combination nut
Manufacturer	OBO
Dimension	M8x35/35mm
Material	Stainless steel
Surface	Bright, treated
Surface standard	
Smallest sales unit	50
Unit of quantity	Piece
Weight	2.57 kg
Weight unit	kg/100 pc.

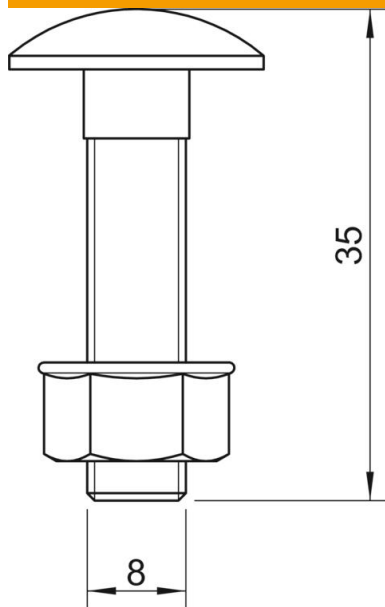
# Technical data sheet

## Truss-head bolt with combination nut, V2A

Item number: 3175608



### Dimensions



Length	35 mm
Dimension D	8 mm
Dimension L	35 mm

### Technical data

Thread metric	8
With nut	yes