

Technical data sheet

Truss-head bolt with combination nut, V2A

Item number: 3175620



Truss-head bolt with square neck and combination nut.



A2 Stainless steel

2B Bright, treated

Master data

Item number	3175620
Type	FRSB M10x20 A2
Description 1	Truss-head bolt
Description 2	with combination nut
Manufacturer	OBO
Dimension	M10x20/20mm
Material	Stainless steel
Surface	Bright, treated
Surface standard	
Smallest sales unit	50
Unit of quantity	Piece
Weight	3 kg
Weight unit	kg/100 pc.

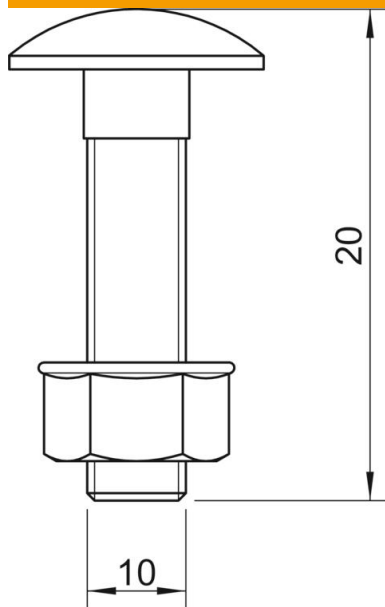
Technical data sheet

Truss-head bolt with combination nut, V2A

Item number: 3175620



Dimensions



Length	20 mm
Dimension D	10 mm
Dimension L	20 mm

Technical data

Thread metric	10
With nut	yes