

# Technical data sheet

## Plug-in seal EDVS, light grey

Item number: 2012391



The push-in nipple can be cut back to suit the relevant cable diameter.



**EVA** Ethylene vinyl acetate

### Master data

Item number	2012391
Type	EDVS M32 LGR
Description 1	Plug-in seal
Manufacturer	OBO
Dimension	M32
Colour	Light grey; RAL 7035
Material	Ethylene vinyl acetate
Smallest sales unit	50
Unit of quantity	Piece
Weight	0.295 kg
Weight unit	kg/100 pc.

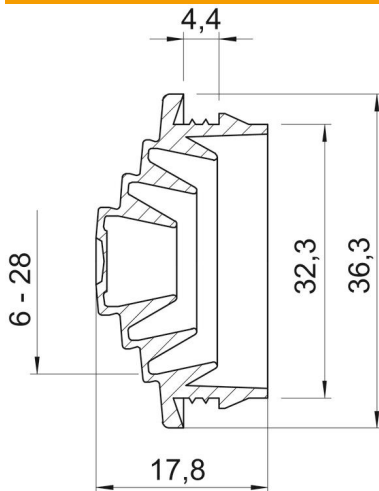
# Technical data sheet

## Plug-in seal EDVS, light grey

Item number: 2012391



### Dimensions



Dimension A	4.4 mm
Dimension D1	36.3 mm
Dimension D2	32.3 mm
Dimension D3	6 mm
Maß D4	10 mm
Dimension D5	15 mm
Dimension D6	20
Dimension D7	25
Dimension D8	28
Dimension L	17.8 mm
Dimension t	4.4 mm

### Technical data

Version for	Cuttable
Flame-resistant	acc. to VDE 0471/DIN 695 Part 2-1, test temperature 650°C
for diameter, max.	28 mm
for diameter, min.	0 mm
for wall thickness, max.	4.4
for wall thickness, min.	4.4
Size	M32
Halogen-free	yes
Nominal diameter	32 mm
Protection rating	IP54