

Technical data sheet

Plug-in seal for pipes, light grey

Item number: 2011530



Plug-in seal for junction boxes for direct insertion of metric pipes



TPE Thermoplastic elastomer

Master data

Item number	2011530
Type	EDR 32 25-32 LGR
Description 1	Plug-in seal
Description 2	for pipes
Manufacturer	OBO
Dimension	Ø32/25-32
Colour	Light grey; RAL 7035
Material	Thermoplastic elastomer
Smallest sales unit	50
Unit of quantity	Piece
Weight	1.17 kg
Weight unit	kg/100 pc.

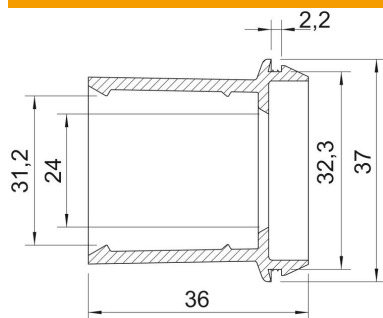
Technical data sheet

Plug-in seal for pipes, light grey

Item number: 2011530



Dimensions



Dimension A	2.2 mm
Dimension D1	37 mm
Dimension D2	32.3 mm
Dimension D3	24 mm
Maß D4	31.2 mm
Dimension L	36 mm

Technical data

Version for	Open
for diameter, max.	32 mm
for diameter, min.	25 mm
for wall thickness, max.	2.2
for wall thickness, min.	2.2
Size	M32
Halogen-free	yes
Nominal diameter	32 mm
Protection rating	IP55